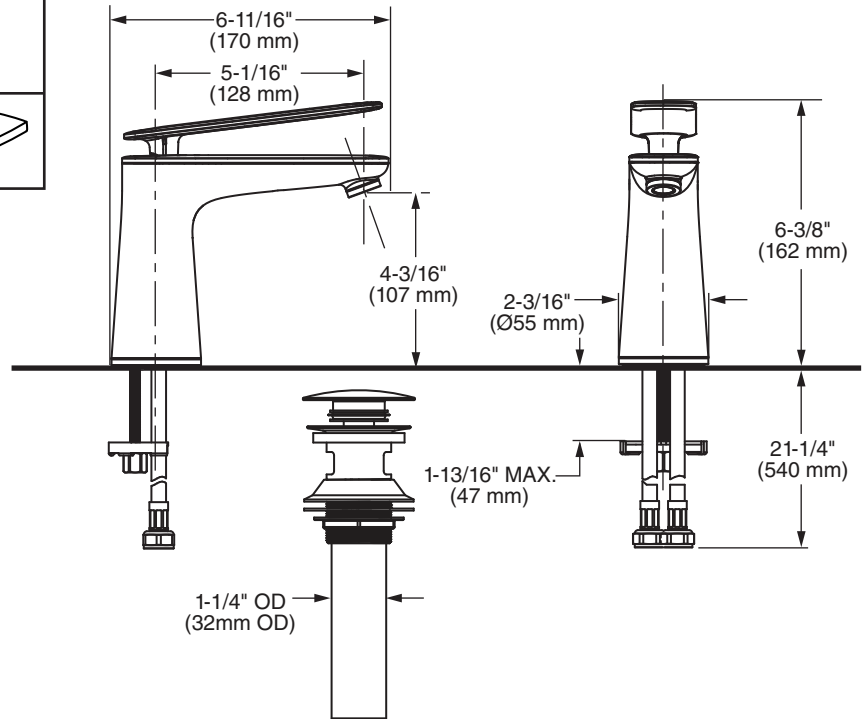
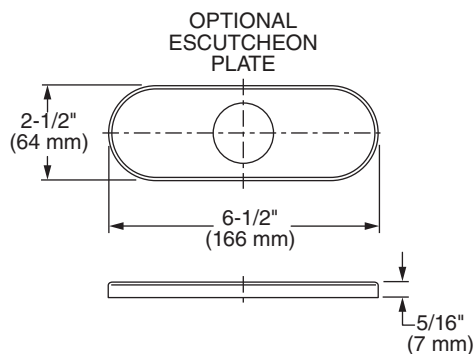


MODEL NUMBER:

- 7061101 Monoblock with Drain
- 7061104 Monoblock without Drain

AVAILABLE ACCESSORY:

- 70204P0 Escutcheon Plate Only



GENERAL DESCRIPTION:

Metal body and handle. Washerless 28 mm ceramic disc valve cartridge with integral hot limit safety stop. Braided flexible supply hoses with 3/8" compression connectors. Metal push pop-up drain body with 1-1/4" (32 mm) tail piece. 1.2 gpm/4.5 L/min. maximum flow rate. Fitting can be mounted on 4" centers using optional escutcheon (70204P0) or single hole mounting method.

PRODUCT FEATURES:

Metal Construction: Durable. Easy to clean. Ideal for prolonged contact with water.

Ceramic Disc Valve Cartridge: Assures a lifetime of smooth handle operation and drip-free performance.

Adjustable Hot Limit Safety Stop: Limits the amount of hot water allowed to mix with cold. Reduces the risk of accidental scalding.

Metal Push Pop-up Drain:

- Easy to install, operate and remove clogs.
- Fewer parts. Installs in less time.
- No adjustments required - seals the first time, every time.

Lead Free: Faucet contains ≤ 0.25% total lead content by weighted average.

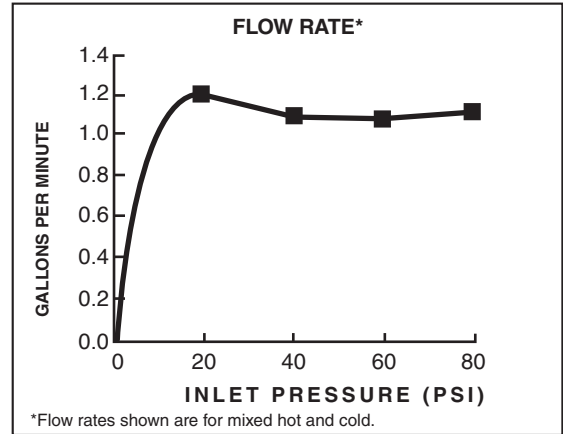
SUGGESTED SPECIFICATION

Single control lavatory faucet shall feature a metal body and metal lever handle. Fitting shall be equipped with flexible supplies with 3/8" compression connectors. Shall also feature washerless ceramic disc valve cartridge with an integral hot limit safety stop. Shall also feature a metal drain body. Fitting shall be American Standard Model # 7061101.XXX & 7061104.002.

CODES AND STANDARDS

These products meet or exceed the following codes and standards:

- ANSI A117.1**
- ASME A112.18.1**
- CSA B125.1**
- NSF/ANSI/CAN 61: Q<1**
- NSF/ANSI/CAN 372**



Product Number	Description		Finish Options		
			Polished Chrome	PVD Brushed Nickel	Matte Black
			002	295	243
7061101	Single Control Monoblock. with drain.	ADA	✓	✓	✓
70204P0	Optional Escutcheon Plate (for mounting on 4" centers).		✓	✓	✓
7061104	Single Control Monoblock. without drain.	ADA	✓		

ADA Meets the American Disabilities Act Guidelines and **ANSI A117.1** Requirements for the physically challenged.