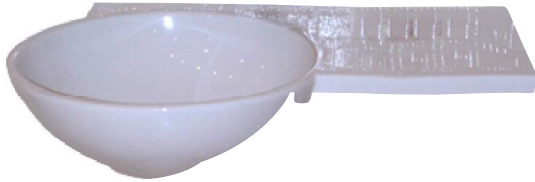


# GINA WALL-HUNG

Cat. No.  
LB271, RB271



W: 26½"  
D: 17"  
H: 6½"  
Flange: 1"

## Features:

- ▶ Fire clay basin
- ▶ Available with Basin on left or right
- ▶ 1 Faucet hole
- ▶ No overflow
- ▶ Spacious side deck
- ▶ Comes with mounting hardware

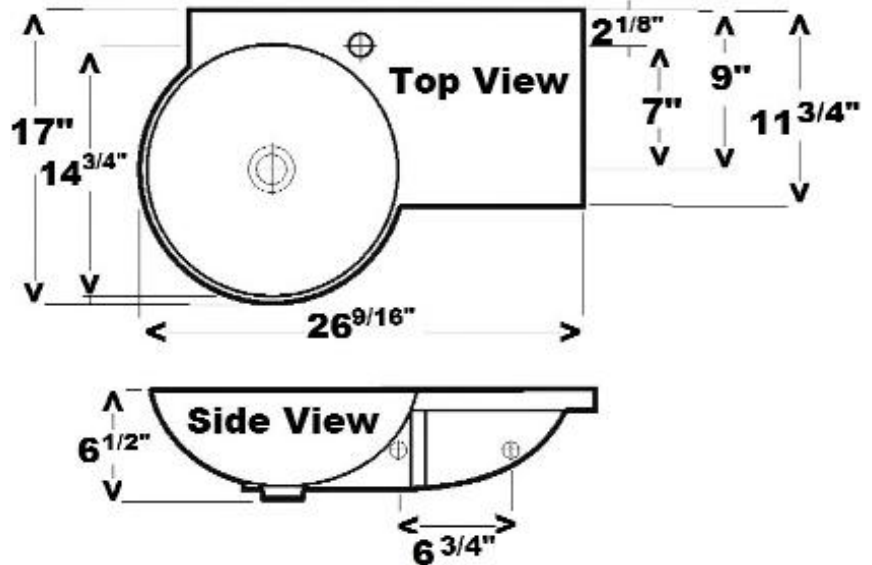
## Colors:

WH White

Meets or exceeds the following specifications: ASME A112.19.2 2013 and CSA B45.1-08 for ceramic plumbing fixtures and ASME 112.19.9M for fire clay.

## Interior Dimensions:

Basin Interior:	14½" x 14¼"
BasinDepth:	4⅝"
Deck size:	11¾" x 11¾"
Back of basin to center of faucet:	2⅞"
Back of basin to center of drain:	11⅞"
Mount holes cc:	6¾"
Spout hole:	1⅜"



Dimensions of fixture are nominal and may vary within the range of tolerances established by ASME Standard A112.19.2-2008. Dimensions and specifications subject to change without notice.