

ID Infinity Drain



S-LTIF 65 Low Profile Site Sizable Series

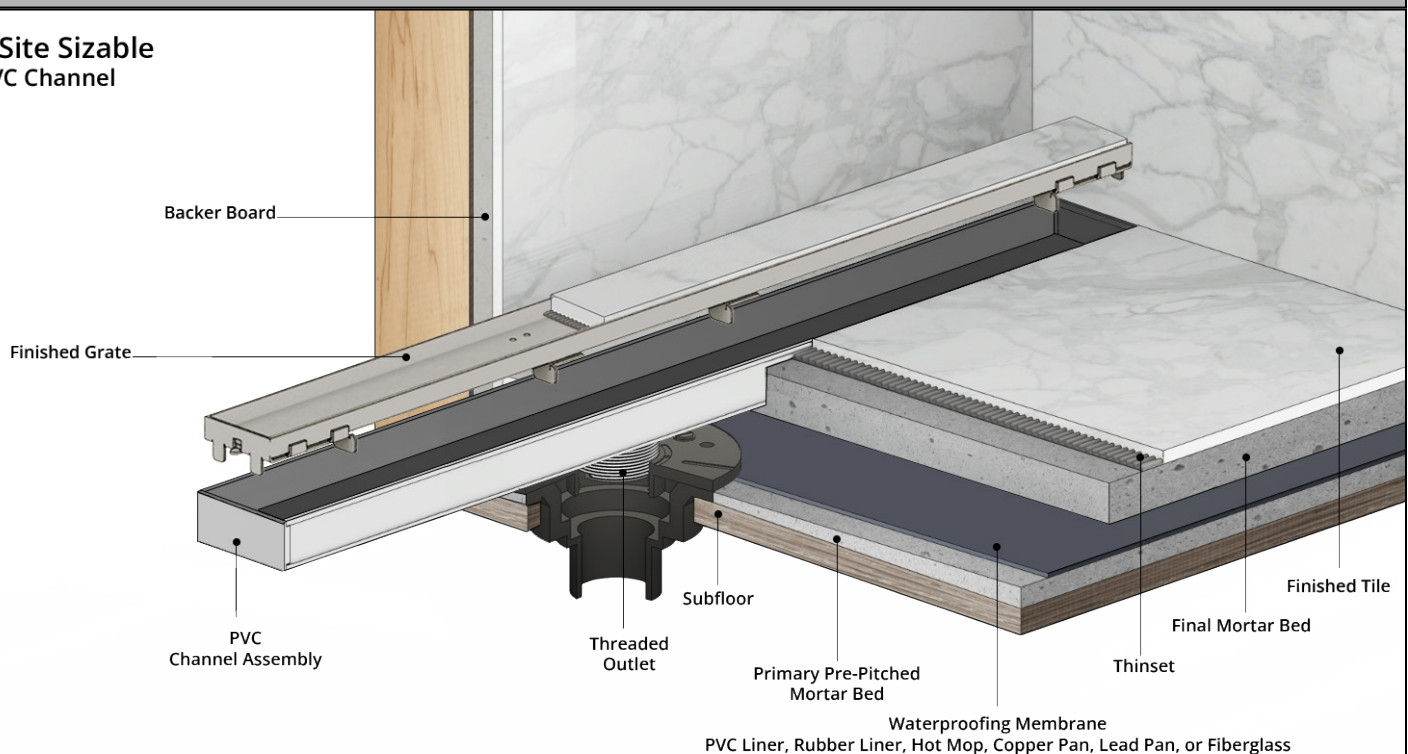
- S-LTIF 6536 - 36" Complete Kit
- S-LTIF 6548 - 48" Complete Kit
- S-LTIF 6560 - 60" Complete Kit
- S-LTIF 6572 - 72" Complete Kit
- S-LTIF 6596 - 96" Complete Kit

Features

- 12 gauge, 304L stainless steel Tile Insert Frame
- Modify length and outlet location on site
- Indoor or outdoor use
- Low profile 1" Height
- NOT INTENDED for installation across a barrier-free threshold
- Compatible with: PVC Liner, Rubber Liner (Chloraloy®), Hot Mop, Lead Pan, Copper Pan, or Fiberglass
- Flow rate - 9 gpm per outlet
 - Flow rate measured at outlet only. Measurement does not account for water in channel or sheeting on shower floor.
 - Additional outlets can be added and combined into a larger waste line to increase flow rates

Installation

S Site Sizable PVC Channel



Care & Maintenance

S-LTIF 65 stainless steel linear drain top grates are made of 304L stainless steel. This material is non-porous, hygienic, rust-free and extremely durable. Bar Keepers Friend® and Soft Scrub® are commonly available products that can be used to protect and clean your Satin Stainless drain cover. For stains that have been left for an excessive amount of time, stronger cleaning agents such as Steel Brite® may be needed. For all finishes we recommend using mild soap and a soft cloth for cleaning. DO NOT use any abrasive cleaners, scrub pads or allow household cleaning agents, such as bleach, to sit on the drain cover for a long period of time. Stainless steel does not rust. External factors, such as contamination from other highly ferrous metals, built up road salt, sea salt, or chlorine may have caused "surface" rust which can be removed using Barkeepers Friend®, Soft Scrub® with Bleach, or Steel Brite®. Always follow the directions on the bottle. Follow proper maintenance procedures to prevent excessive surface rust. In areas of frequent exposure to salt, chlorine, and other chemical compounds, maintenance of the stainless grates should be performed at least 2-3 times per year.

Infinity Drain
145 Dixon Avenue
Amityville, NY 11701
Phone: 516.767.6786
Fax: 516.740.3066
www.Infinitydrain.com



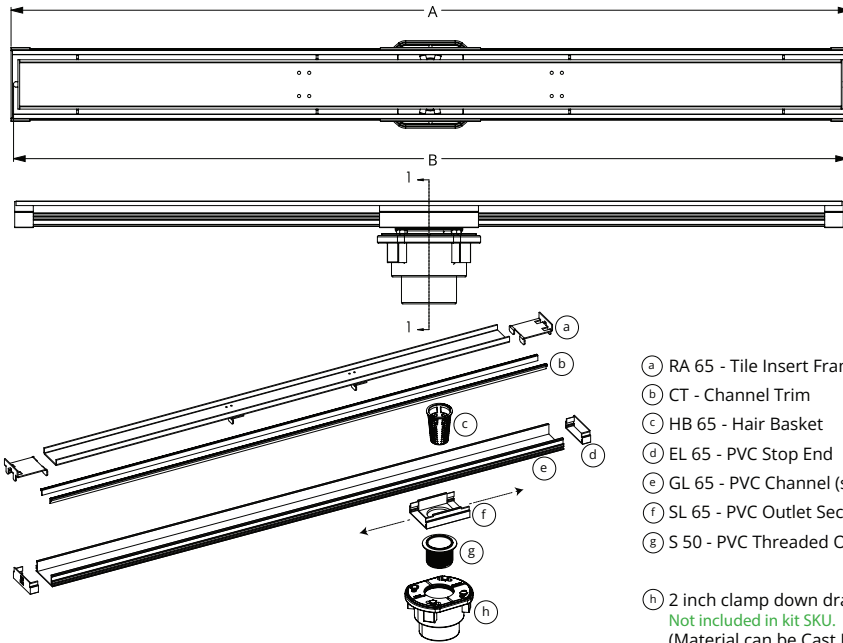
NOTE: Installer must verify all rough-in dimensions prior to installation and consult local and national codes. Conformity and compliance to local and national codes are the responsibility of the installer.

ID Infinity Drain

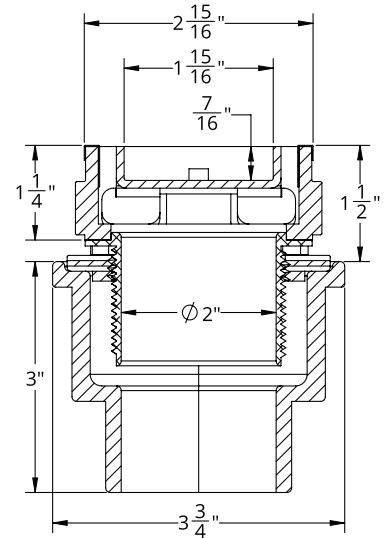
S-LTIF 6536

S-LTIF 6548

S-LTIF 6560



- Ⓐ RA 65 - Tile Insert Frame Assembly
- Ⓑ CT - Channel Trim
- Ⓒ HB 65 - Hair Basket
- Ⓓ EL 65 - PVC Stop End
- Ⓔ GL 65 - PVC Channel (ships as one piece)
- Ⓕ SL 65 - PVC Outlet Section
- Ⓖ S 50 - PVC Threaded Outlet
- Ⓗ 2 inch clamp down drain assembly
Not included in kit SKU.
(Material can be Cast Iron, ABS, or PVC)



SECTION A-A

Model Number	Complete Kit Contents	A Maximum Overall Length	B Maximum Grate Length
S-LTIF 6536	1 - RA 6536 Tile Insert Frame 1 - GL 6536 PVC Channel 1 - CS 6536 Channel Spacer 2 - EL 65 PVC Stop Ends 1 - SL 65 PVC Outlet Section 1 - S 50 PVC Threaded Outlet 2 - CT 36 Channel Trims 1 - ZSIKA M1 Sealant 1 - HMK-65-A: 1 - HB 65 Hair Basket 1 - AKEY Lift Out Key	36"	35 7/8"
S-LTIF 6548	1 - RA 6548 Tile Insert Frame 1 - GL 6548 PVC Channel 1 - CS 6548 Channel Spacer 2 - EL 65 PVC Stop Ends 1 - SL 65 PVC Outlet Section 1 - S 50 PVC Threaded Outlet 2 - CT 48 Channel Trims 1 - ZSIKA M1 Sealant 1 - HMK-65-A: 1 - HB 65 Hair Basket 1 - AKEY Lift Out Key	48"	47 7/8"
S-LTIF 6560	1 - RA 6560 Tile Insert Frame 1 - GL 6560 PVC Channel 1 - CS 6560 Channel Spacer 2 - EL 65 PVC Stop End 1 - SL 65 PVC Outlet Section 1 - S 50 PVC Threaded Outlet 2 - CT 60 Channel Trims 1 - ZSIKA M1 Sealant 1 - HMK-65-A: 1 - HB 65 Hair Basket 1 - AKEY Lift Out Key	60"	59 7/8"

Finishes

- Satin Stainless (SS)
 Polished Stainless (PS)
 Oil Rubbed Bronze (ORB)
 Satin Bronze (SB)
 Matte Black (BK)

Infinity Drain
 145 Dixon Avenue
 Amityville, NY 11701
 Phone: 516.767.6786
 Fax: 516.740.3066
 www.Infinitydrain.com

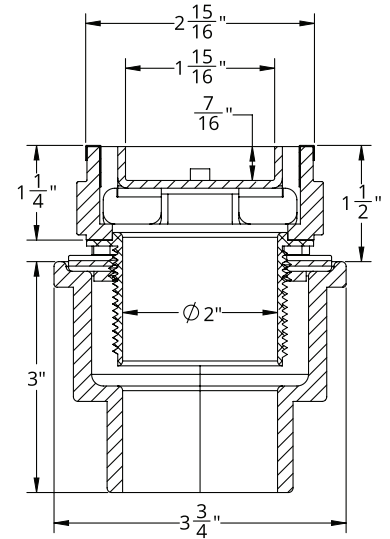
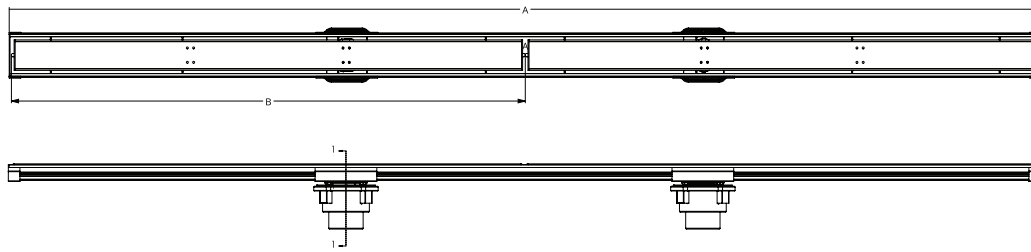


NOTE: Installer must verify all rough-in dimensions prior to installation and consult local and national codes. Conformity and compliance to local and national codes are the responsibility of the installer.

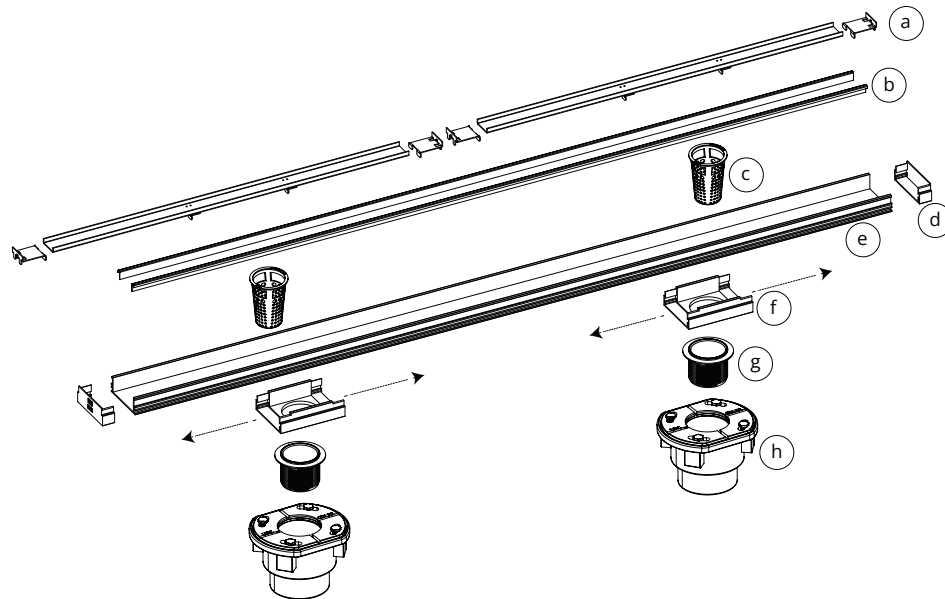
ID Infinity Drain

S-LTIF 6572

S-LTIF 6596



SECTION A-A



- (a) RA 65 - Tile Insert Frame Assembly
- (b) CT - Channel Trim
- (c) HB 65 - Hair Basket
- (d) EL 65 - PVC Stop End
- (e) GL 65 - PVC Channel (ships as one piece)
- (f) SL 65 - PVC Outlet Section
- (g) S 50 - PVC Threaded Outlet

(h) 2 inch clamp down drain assembly
 Not included in kit SKU.
 (Material can be Cast Iron, ABS, or PVC)

Model Number	Complete Kit Contents	A Maximum Overall Length	B Maximum Grate Length
S-LTIF 6572	2 - RA 6536 Tile Insert Frame 1 - GL 6572 PVC Channel 1 - CS 6572 PVC Channel 2 - EL 65 PVC Stop Ends 2 - SL 65 PVC Outlet Sections 2 - S 50 PVC Threaded Outlet	72"	35 7/8" (x 2)
S-LTIF 6596	2 - RA 6548 Tile Insert Frame 1 - GL 6596 PVC Channel 1 - CS 6596 PVC Channel 2 - EL 65 PVC Stop End 2 - SL 65 PVC Outlet Sections 2 - S 50 PVC Threaded Outlets	96"	47 7/8" (x 2)

Finishes

- Satin Stainless (SS)
 Polished Stainless (PS)
 Oil Rubbed Bronze (ORB)
 Satin Bronze (SB)
 Matte Black (BK)

Infinity Drain
 145 Dixon Avenue
 Amityville, NY 11701
 Phone: 516.767.6786
 Fax: 516.740.3066
 www.Infinitydrain.com



NOTE: Installer must verify all rough-in dimensions prior to installation and consult local and national codes. Conformity and compliance to local and national codes are the responsibility of the installer.