

# KHT301-25L

25 Inch Dual Mount Single Bowl  
Stainless Steel Laundry Utility Sink

# Kräus<sup>®</sup>

SPECIFICATION SHEET

### Sink Dimensions

Overall Dimensions: 25" x 22"

Bowl Dimensions: 23" x 18"

Sink Depth: 11 3/8"

### Features

- 16 Gauge Stainless Steel Construction
- Dual Mount Single Bowl Sink
- Required Minimum Cabinet Size: 27" Left to Right  
24" Front to Back
- Rear Center Set Drain
- 3 1/2" Drain Opening
- NoiseDefend Undercoating and Sound Dampening Pads

### Accessories Included

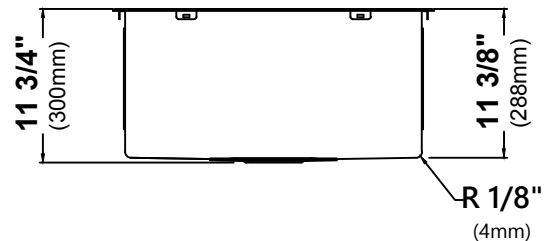
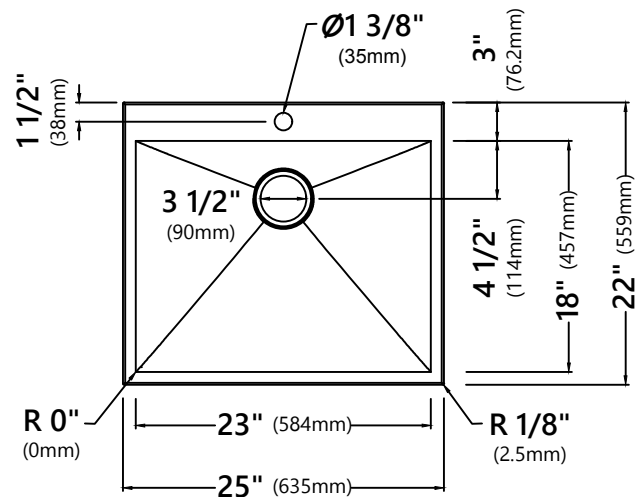
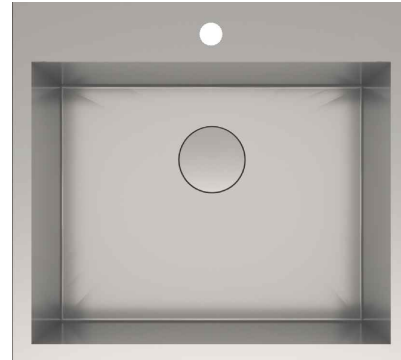
- Strainer ST-1
- Cover Cap STC-2
- Bottom Grid KBG-301-25
- Towel
- Cut-Out Template
- Top Mount Hardware
- Undermount Hardware

### CODES/STANDARDS:

#### Product Certification

cUPC (ASME A112.19.3/CSA B45.4)

**NOTE:** Maximum countertop thickness for Top Mount installation is 1 1/2".



### Warranty

Kraus Limited Lifetime Warranty

see website for details [www.kraususa.com](http://www.kraususa.com)