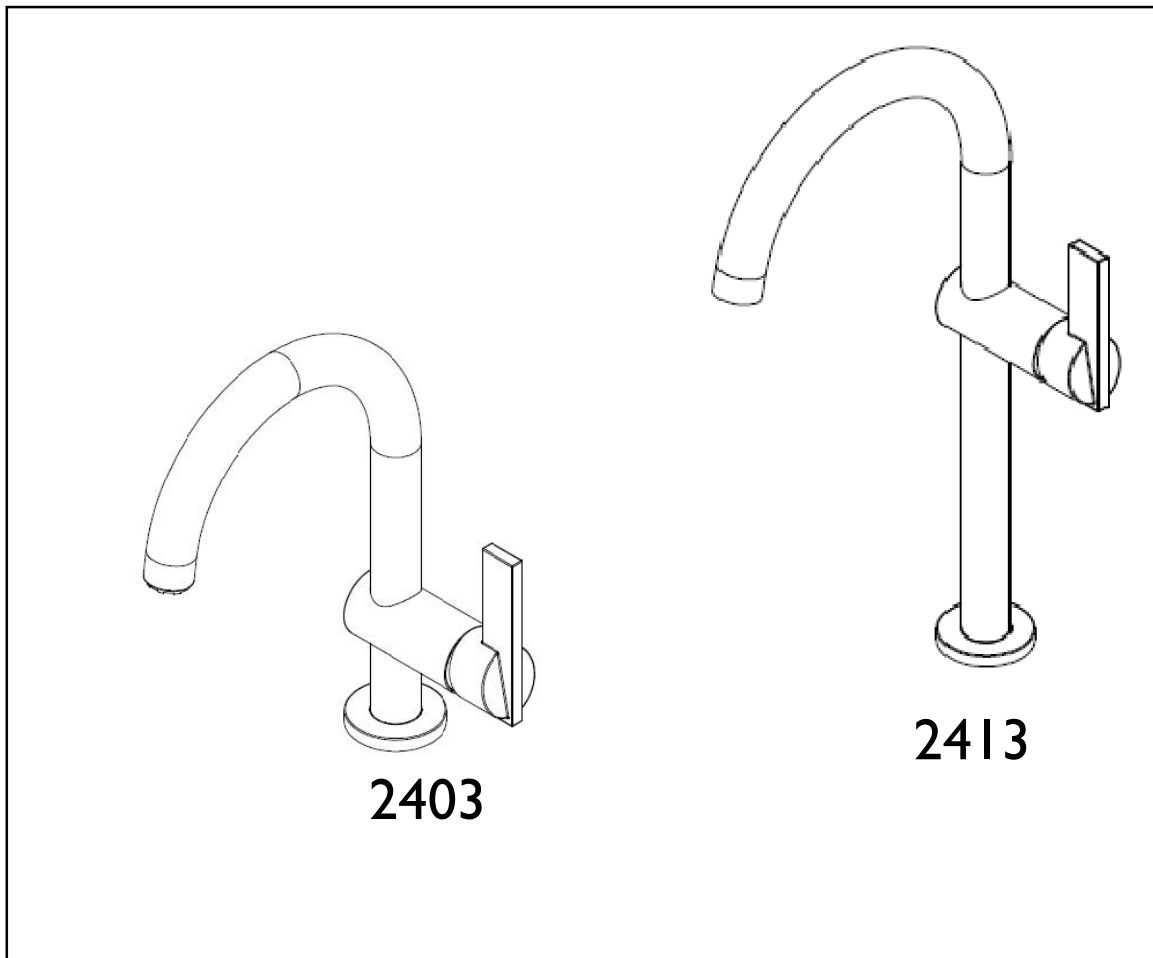


P R I Y A

SINGLE HOLE DECK LAVATORY / VESSEL INSTALLATION INSTRUCTIONS Model No: 2403 /2413



NEWPORT BRASS

Flawless Beauty. From Faucet to Finish.™

2001 CARNEGIE AVE, SANTA ANA CA 92705

(949) 417-5207

WWW.NEWPORTBRASS.COM

Recommended Installation by a Professional Plumbing Contractor

Note: The use of petroleum base plumbers putty on our products will nullify the warranty. We recommend the use of clear silicone sealing materials. Recommended deck thru hole \varnothing 1-1/8"

1. Place the spout hoses, one at a time, and secure spout into place with SPACER and MOUNTING KIT. **See Figure 1.**
2. Attach hot/cold spout supply hoses to valves in the wall. **See Figure 2.**
3. Drain assembly not included with I203-I. Remove FLANGE, RUBBER WASHER, STEEL WASHER, and discard drain CAP COVER from drain assembly. Place RUBBER WASHER into FLANGE. Then, place FLANGE through the sink hole (Clear silicone may be used in place of RUBBER WASHER). From underside of sink, install CONE WASHER, STEEL WASHER, and LOCK NUT into FLANGE. Thread LOCK NUT firmly. Thread TAILPIPE to FLANGE assembly and assemble TAILPIPE to existing P-Trap. **See Figure 3.**
4. Remove aerator from spout using key supplied. Turn on water supply, and flush system until water is clear. Check for leaks and make any final adjustments required. Reattach aerator to the spout.

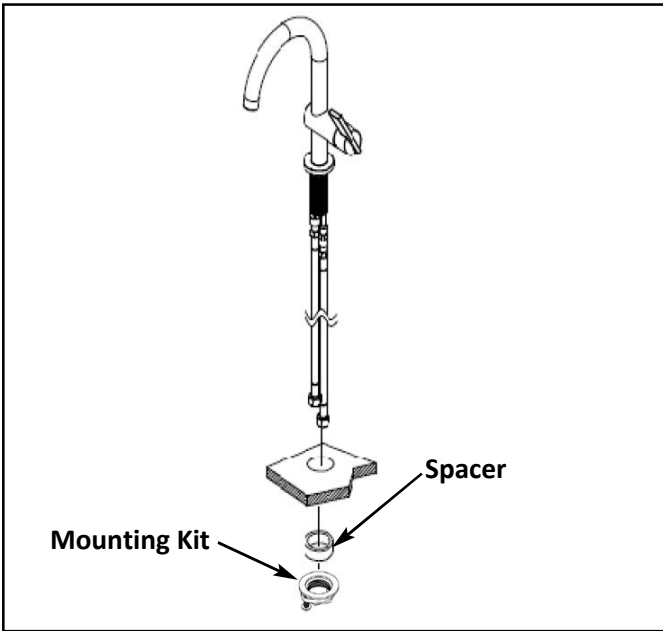


Figure 1

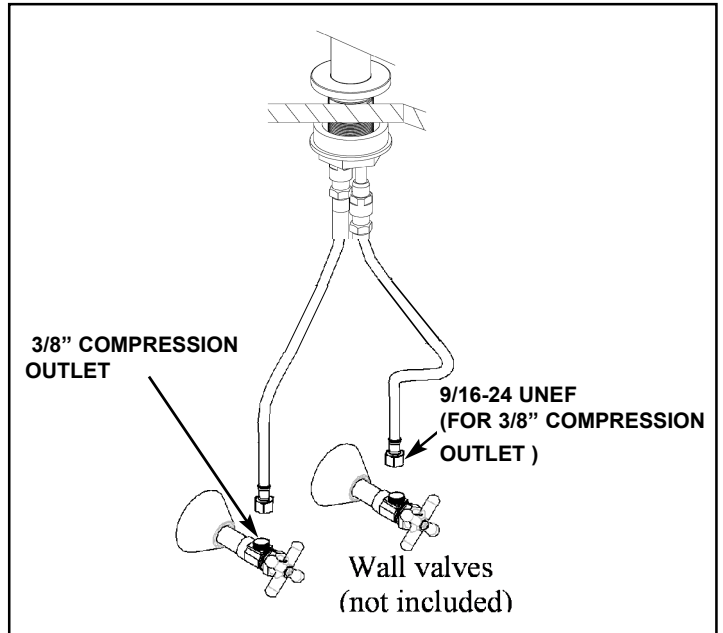


Figure 2

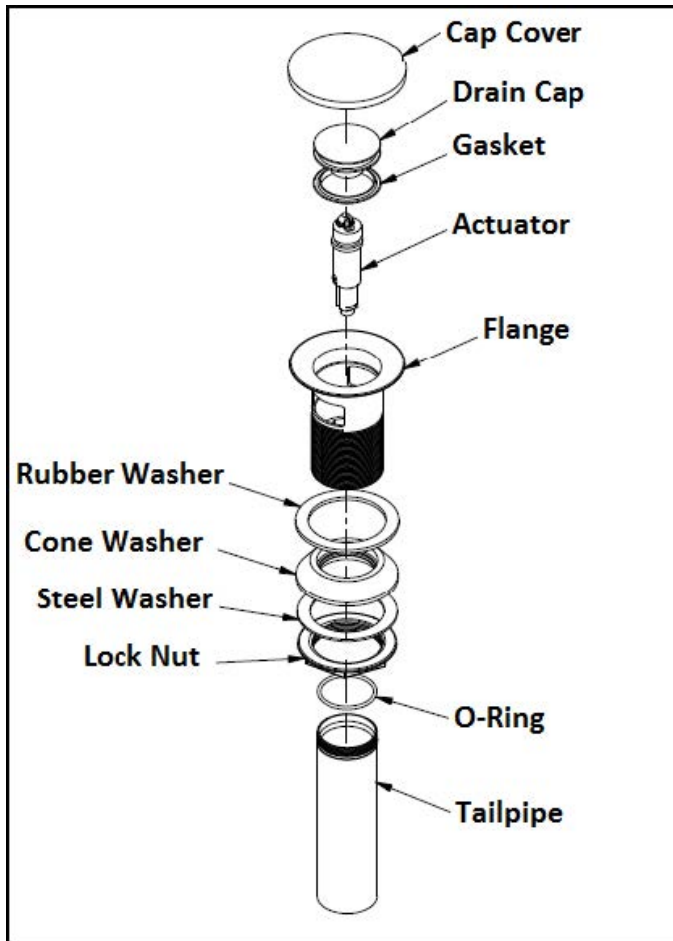


Figure 3

Drain assembly not included with 2413