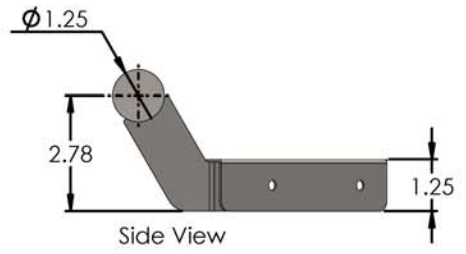
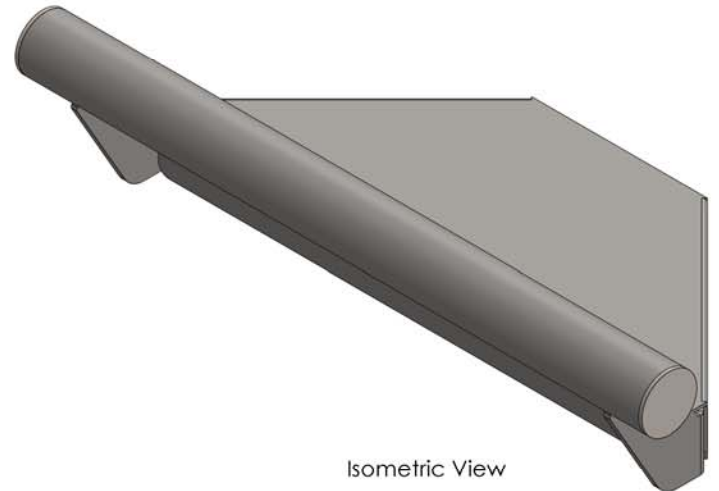
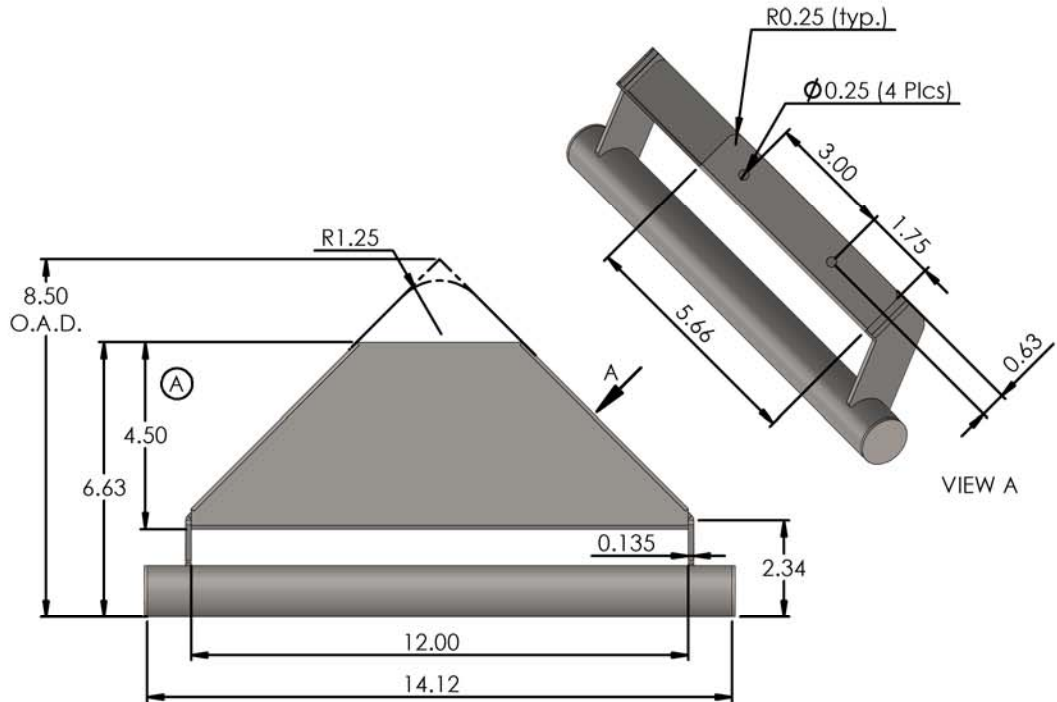


REVISIONS			
REV.	DESCRIPTION	DATE	APPROVED
A	Reduced depth by 1/2" to accommodate 1-1/4" Corner Radius.	02-13-15	

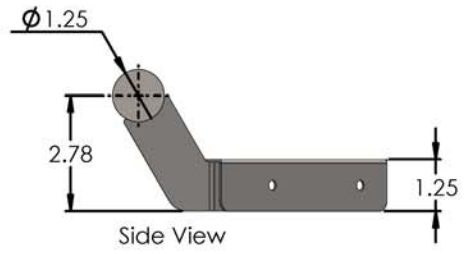
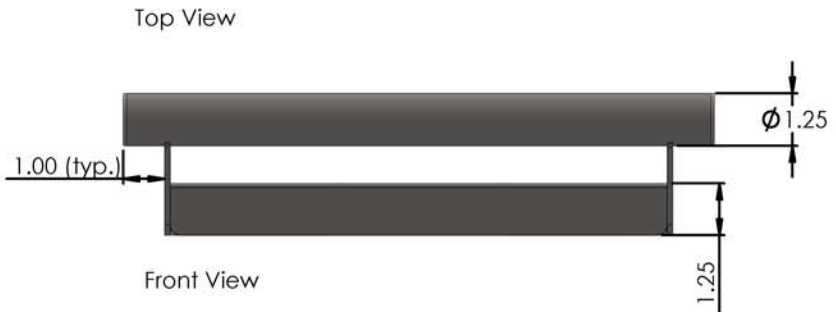


PROPRIETARY AND CONFIDENTIAL
 THE INFORMATION CONTAINED IN THIS DRAWING IS THE SOLE PROPERTY OF SEACHROME CORPORATION. ANY REPRODUCTION IN PART OR AS A WHOLE WITHOUT THE WRITTEN PERMISSION OF SEACHROME CORPORATION IS PROHIBITED.

UNLESS OTHERWISE SPECIFIED:		NAME	DATE	Seachrome Corporation TITLE: Corner Shower Shelf 12" Shelf x 4-1/2" w/ 14" Handle Satin Stainless SIZE B DWG. NO. W-SC306-1406-SS_a SCALE: 1:5 WEIGHT: SHEET 1 OF 1
DIMENSIONS ARE IN INCHES		Tania	09-30-15	
TOLERANCES:				
FRACTIONAL: \pm				
ANGULAR: MACH \pm BEND \pm				
TWO PLACE DECIMAL \pm				
THREE PLACE DECIMAL \pm				
INTERPRET GEOMETRIC TOLERANCING PER:		COMMENTS:		
MATERIAL				
16ga (0.060) Stainless				
FINISH				
Satin Stainless				
NEXT ASSY	USED ON			
APPLICATION	DO NOT SCALE DRAWING			

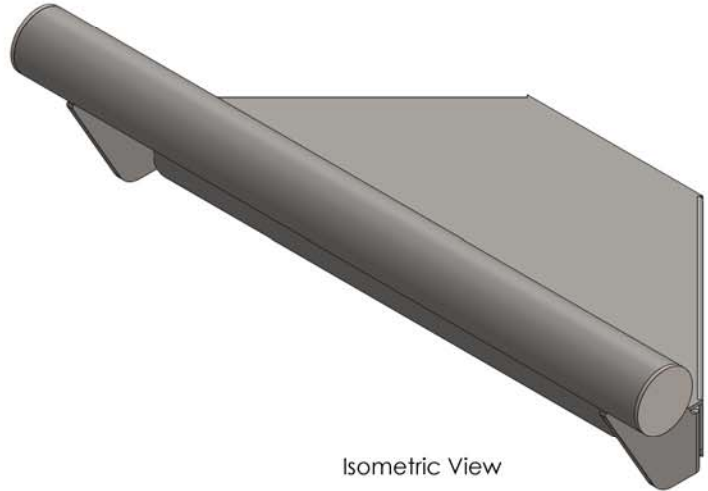
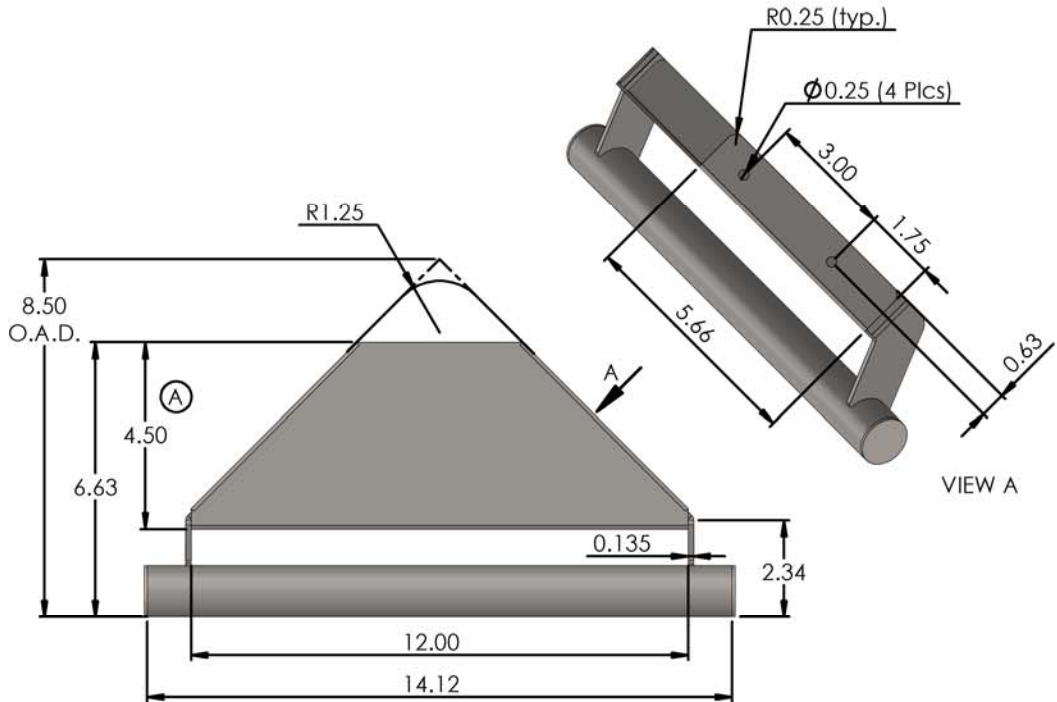


REVISIONS			
REV.	DESCRIPTION	DATE	APPROVED
A	Reduced depth by 1/2" to accommodate 1-1/4" Corner Radius.	02-13-15	

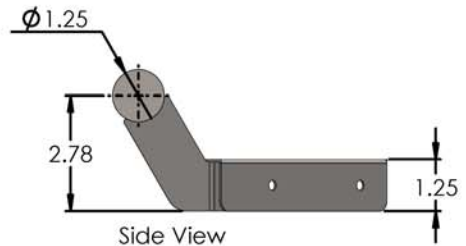


PROPRIETARY AND CONFIDENTIAL
 THE INFORMATION CONTAINED IN THIS DRAWING IS THE SOLE PROPERTY OF SEACHROME CORPORATION. ANY REPRODUCTION IN PART OR AS A WHOLE WITHOUT THE WRITTEN PERMISSION OF SEACHROME CORPORATION IS PROHIBITED.

UNLESS OTHERWISE SPECIFIED:		NAME	DATE	Seachrome Corporation TITLE: Corner Shower Shelf 12" x 4-1/2" Shelf w/ 14" Handle Polished Stainless SIZE B DWG. NO. W-SC306-1406-PS_a SCALE: 1:5 WEIGHT: SHEET 1 OF 1
DIMENSIONS ARE IN INCHES		Tania	09-30-15	
TOLERANCES:				
FRACTIONAL: \pm				
ANGULAR: MACH \pm BEND \pm				
TWO PLACE DECIMAL \pm				
THREE PLACE DECIMAL \pm				
INTERPRET GEOMETRIC TOLERANCING PER:		COMMENTS:		
MATERIAL				
16ga (0.060) Stainless				
FINISH				
Polished Stainless				
NEXT ASSY	USED ON			
APPLICATION	DO NOT SCALE DRAWING			



REVISIONS			
REV.	DESCRIPTION	DATE	APPROVED
A	Reduced depth by 1/2" to accommodate 1-1/4" Corner Radius.	02-13-2015	



PROPRIETARY AND CONFIDENTIAL
 THE INFORMATION CONTAINED IN THIS DRAWING IS THE SOLE PROPERTY OF SEACHROME CORPORATION. ANY REPRODUCTION IN PART OR AS A WHOLE WITHOUT THE WRITTEN PERMISSION OF SEACHROME CORPORATION IS PROHIBITED.

UNLESS OTHERWISE SPECIFIED:		NAME	DATE	Seachrome Corporation TITLE: Corner Shower Shelf 12" x 4-1/2" Shelf w/ 14" Handle Powdercoat Bronze SIZE B DWG. NO. W-SC306-1406-BR_a SCALE: 1:5 WEIGHT: SHEET 1 OF 1
DIMENSIONS ARE IN INCHES		Tania	09-30-15	
TOLERANCES:				
FRACTIONAL: \pm				
ANGULAR: MACH: \pm BEND: \pm				
TWO PLACE DECIMAL: \pm				
THREE PLACE DECIMAL: \pm				
INTERPRET GEOMETRIC TOLERANCING PER:		COMMENTS:		
MATERIAL				
16ga (0.060) Stainless				
FINISH				
PC Bronze				
NEXT ASSY	USED ON			
APPLICATION	DO NOT SCALE DRAWING			