

## Dimensional Document

# Viega PureFlow<sup>®</sup> Press Zero Lead Fittings



This document is subject to updates. For the most current Viega technical literature please visit [viega.us](http://viega.us).

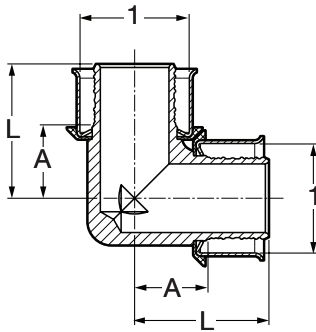


Zero Lead identifies Viega<sup>®</sup> products meeting the lead free requirements of NSF 61-G through testing under NSF/ANSI 372 (0.25% or less maximum weighted average lead content).



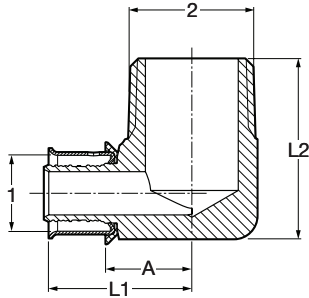
Viega products are designed to be installed by licensed and trained plumbing and mechanical professionals who are familiar with Viega products and their installation. **Installation by non-professionals may void Viega LLC's warranty.**

### PureFlow Press 90° Elbow Zero Lead Bronze - Model 2816ZL



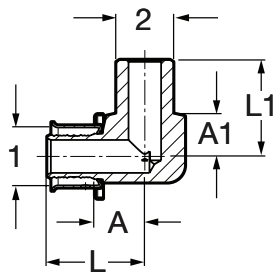
Part No.	Size (in)	A (in)	L (in)
	<b>1 1</b>		
93520	1/2 x 1/2	0.47	0.97
93530	5/8 x 5/8	0.59	1.09
93540	3/4 x 3/4	0.59	1.09
93560	1 x 1	0.88	1.50
93570	1 1/4 x 1 1/4	0.95	1.81
93580	1 1/2 x 1 1/2	1.14	2.01
93590	2 x 2	1.33	2.38

**PureFlow Press 90° Elbow Zero Lead Bronze P x MPT - Model 2814ZL**



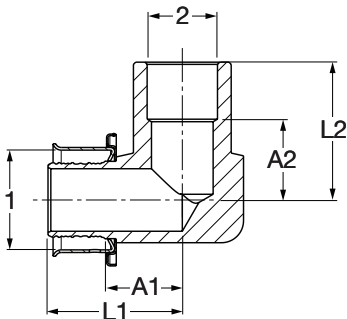
Part No.	Size (in)		A (in)	L1 (in)	L2 (in)
	1	2			
92520	1/2	1/2 MPT	0.64	1.13	1.06
92525	1/2	3/4 MPT	0.74	1.24	1.14
92540	3/4	3/4 MPT	0.74	1.24	1.13
92545	3/4	1 MPT	0.98	1.48	1.61
92560	1	1 MPT	0.98	1.60	1.61
92565	3/4	1 1/4 MPT	1.32	1.81	1.67
92570	1	1 1/4 MPT	1.31	1.93	1.67
92757	1 1/4	1 1/4 MPT	1.32	2.19	1.67
92580	1 1/2	1 1/2 MPT	1.34	2.21	1.73
92590	2	2 MPT	1.65	2.70	2.07

**PureFlow Press 90° Elbow Zero Lead Bronze P x Street - Model 2814.6ZL**



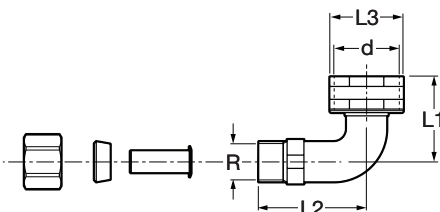
Part No.	Size (in)		A (in)	A1 (in)	L (in)	L1 (in)
	1	2				
99310	1/2	1/2	0.58	0.47	1.07	1.06
99307	1/2	3/4	0.70	0.42	1.20	1.23
99311	3/4	3/4	0.70	0.42	1.20	1.23

**PureFlow Press 90° Elbow Zero Lead Bronze P x FTG - Model 2814.7ZL, 2815.5ZL**



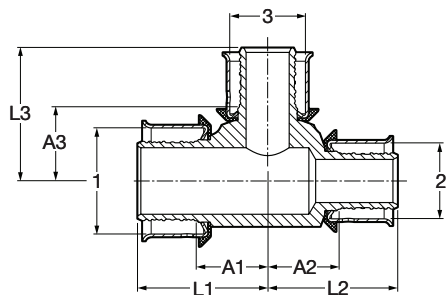
Part No.	Size (in)		A1 (in)	A2 (in)	L1 (in)	L2 (in)
	1	2				
99307	1/2	1/2	0.71	0.72	1.20	1.23
99308	1/2	3/4	0.68	0.47	1.18	1.22
99313	5/8	1/2	0.68	0.72	1.18	1.23
99312	5/8	3/4	0.68	0.48	1.18	1.23
99311	3/4	1/2	0.71	0.72	1.20	1.23
99309	3/4	3/4	0.68	0.47	1.18	1.22

**PureFlow Compression 90° Elbow Zero Lead Copper CTS x Hose - Model V5053**

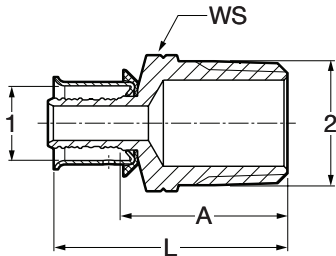


Part No.	Size (in)		L1 (in)	L2 (in)	L3 (in)
	d	R			
46743	3/8 CTS	(1/2 O.D.) comp x 3/4 Hose	1.32	1.67	1.14

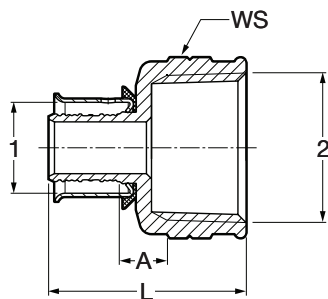
**PureFlow Press Tee Zero Lead Bronze P x P x P - Model 2818ZL**



Part No.	Size (in)			A1 (in)	A2 (in)	A3 (in)	L1 (in)	L2 (in)	L3 (in)
	1	2	3						
94020	1/2	1/2	1/2	0.47	0.47	0.47	0.97	0.97	0.97
94021	1/2	3/8	3/8	0.47	0.47	0.47	0.97	0.97	0.97
94022	1/2	1/2	3/4	0.62	0.62	0.59	1.12	1.12	1.09
94030	5/8	5/8	5/8	0.59	0.59	0.59	1.09	1.09	1.09
94040	3/4	3/4	3/4	0.59	0.59	0.59	1.09	1.09	1.09
94032	3/4	1/2	1/2	0.59	0.59	0.62	1.09	1.09	1.12
94034	3/4	1/2	3/4	0.59	0.62	0.59	1.09	1.12	1.09
94036	3/4	3/4	1/2	0.59	0.59	0.62	1.09	1.09	1.12
94060	1	1	1	0.88	0.88	0.88	1.50	1.50	1.50
94037	1	1/2	1/2	0.58	0.59	0.82	1.20	1.08	1.32
94039	1	1/2	1	0.76	0.74	0.76	1.38	1.24	1.38
94038	1	3/4	1/2	0.58	0.59	0.82	1.20	1.08	1.32
94052	1	3/4	3/4	0.80	0.76	0.84	1.40	1.26	1.34
94053	1	3/4	1	0.76	0.71	0.76	1.38	1.20	1.38
94050	1	1	1/2	0.68	0.68	0.84	1.30	1.30	1.34
94056	1	1	3/4	0.80	0.80	0.84	1.42	1.42	1.34
94070	1 1/4	1 1/4	1 1/4	1.00	1.00	1.00	1.87	1.87	1.87
94071	1 1/4	1	3/4	0.73	0.74	0.98	1.59	1.36	1.48
94073	1 1/4	1	1	0.81	0.82	0.99	1.67	1.44	1.61
94072	1 1/4	1 1/4	3/4	0.79	0.73	0.99	1.59	1.59	1.48
94074	1 1/4	1 1/4	1	0.81	0.81	0.99	1.67	1.67	1.61
94080	1 1/2	1 1/2	1 1/2	1.14	1.14	1.14	2.01	2.01	2.01
94081	1 1/2	1	3/4	0.73	0.66	1.13	1.59	1.28	1.62
94082	1 1/2	1	1	0.85	0.86	1.13	1.71	1.48	1.75
94083	1 1/2	1 1/2	3/4	0.73	0.73	1.13	1.59	1.59	1.62
94084	1 1/2	1 1/2	1	0.85	0.85	1.19	1.71	1.71	1.81
94085	1 1/2	1 1/2	1 1/4	0.98	0.98	1.14	1.85	1.85	2.00
94090	2	2	2	1.33	1.33	1.33	2.38	2.38	2.38
94091	2	1 1/2	1	1.34	1.36	1.35	2.38	2.22	1.97
94092	2	1 1/2	1 1/4	1.34	1.36	1.40	2.38	2.22	2.26
94093	2	1 1/2	1 1/2	1.34	1.36	1.40	2.38	2.22	2.26

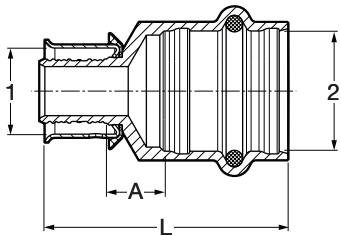
**PureFlow Press Adapter Zero Lead Bronze P x MPT - Model 2811ZL**


Part No.	Size (in)	A (in)	L (in)	WS (in)
	1 2			
90506	3/8 x 1/2 MPT	1.14	1.63	0.87
90521	1/2 x 1/2 MPT	1.10	1.59	0.87
90526	1/2 x 3/4 MPT	1.15	1.64	1.06
90527	5/8 x 1/2 MPT	1.10	1.59	0.87
90531	5/8 x 3/4 MPT	1.15	1.64	1.06
90542	3/4 x 1/2 MPT	1.10	1.59	0.87
90541	3/4 x 3/4 MPT	1.15	1.64	1.06
90546	3/4 x 1 MPT	1.41	1.91	1.34
90562	3/4 x 1 1/4 MPT	1.65	2.10	1.73
90556	1 x 3/4 MPT	1.18	1.80	1.06
90561	1 x 1 MPT	1.41	2.03	1.34
90566	1 x 1 1/4 MPT	1.60	2.22	1.73
90571	1 1/4 x 1 1/4 MPT	1.63	2.50	1.73
90581	1 1/2 x 1 1/2 MPT	1.79	2.66	1.97
90591	2 x 2 MPT	2.08	3.13	2.44

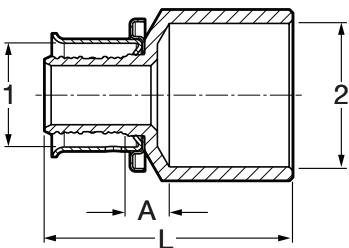
**PureFlow Press Adapter Zero Lead Bronze P x FPT - Model 2812ZL**


Part No.	Size (in)	A (in)	L (in)	WS (in)
	1 2			
91520	1/2 x 1/2 FPT	0.35	1.38	0.98
91525	1/2 x 3/4 FPT	0.37	1.42	1.20
91541*	3/4 x 1/2 FPT	0.31	1.34	0.98
91540	3/4 x 3/4 FPT	0.37	1.42	1.20
91545	1 x 3/4 FPT	0.40	1.58	1.20
91560	1 x 1 FPT	0.41	1.69	1.48
91570	1 1/4 x 1 1/4 FPT	0.58	2.13	1.85
91580	1 1/2 x 1 1/2 FPT	0.60	2.15	2.09
91590	2 x 2 FPT	0.62	2.36	2.60

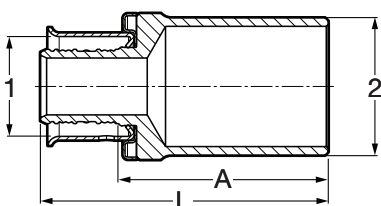
\*UL1821 listed for use in NFPA 13D systems

**PureFlow Press Adapter Smart Connect technology Zero Lead Bronze P x P - Model 2813PZL**


Part No.	Size (in)		A (in)	L (in)
	1	2		
99620	1/2	1/2	0.29	1.61
99626	1/2	3/4	0.43	1.83
99627	5/8	1/2	0.23	1.56
99628	5/8	3/4	0.33	1.73
99630	3/4	1/2	0.23	1.56
99640	3/4	3/4	0.33	1.73
99645	1	3/4	0.35	1.87
99660	1	1	0.45	1.97
99665	1 1/4	1	0.49	2.26
99670	1 1/4	1 1/4	0.49	2.38
99675	1 1/2	1	0.59	2.36
99680	1 1/2	1 1/2	0.59	2.87
99685	2	1	0.73	2.68
99690	2	2	0.55	2.99

**PureFlow Press Adapter Zero Lead Bronze / Copper - Model 2813.5ZL**


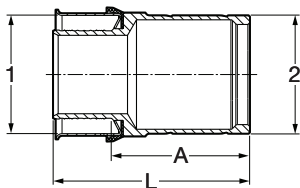
Part No.	Size (in)		A (in)	L (in)
	1	2		
92006	3/8	1/2	0.29	1.28
92021	1/2	1/2	0.23	1.24
92026	1/2	3/4	0.27	1.52
92027	5/8	1/2	0.25	1.24
92031	5/8	3/4	0.27	1.52
92036	3/4	1/2	0.20	1.18
92041	3/4	3/4	0.27	1.52
92045	3/4	1	0.37	1.77
92060	1	1	0.34	1.89
92070	1 1/4	1 1/4	0.43	2.28
92080	1 1/2	1 1/2	0.45	2.44
92090	2	2	0.43	2.60

**PureFlow Press Adapter Zero Lead Bronze P x FTG - Model 2813.1ZL**


Part No.	Size (in)		A (in)	L (in)
	1	2		
97520	1/2	1/2	1.26	1.77
97525	1/2	3/4	1.34	1.83
97530	5/8	1/2	1.28	1.77
97531	5/8	3/4	1.39	1.89
97535	3/4	1/2	1.33	1.83
97540	3/4	3/4	1.45	1.95
97545	3/4	1	1.45	1.95
97560	1	1	1.51	2.13
97570	1 1/4	1 1/4	1.83	2.72
97580	1 1/2	1 1/2	2.21	3.07
97590*	2	2	2.36	3.41

\*For use with solder fittings only.

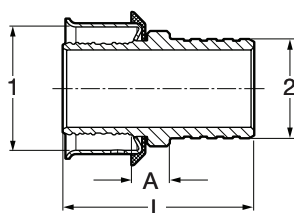
**PureFlow Press Adapter Zero Lead Bronze P x FTG - Model 2813.3ZL**



Part No.	Size (in)	A (in)	L (in)
	1 2		
97690*	2 x 2	2.50	3.54

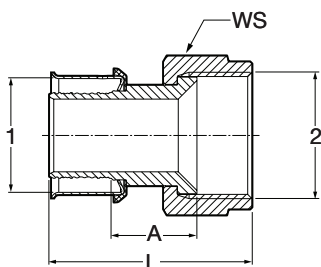
\*For use with ProPress fittings only.

**PureFlow Press Adapter Zero Lead Bronze P x PB - Model 2813.2ZL**



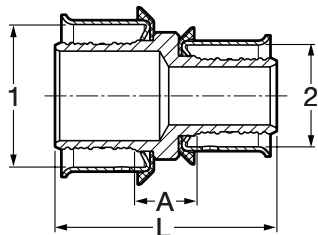
Part No.	Size (in)	A (in)	L (in)
	1 2		
97820	1/2 x 1/2	0.28	1.38
97840	3/4 x 3/4	0.28	1.38

**PureFlow Press Adapter Zero Lead Bronze P x Flare - Model 2892ZL**



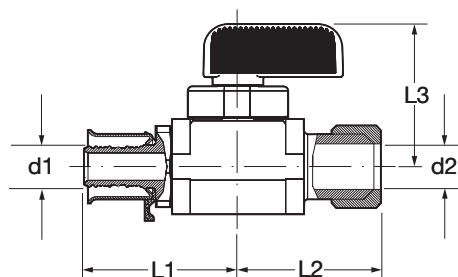
Part No.	Size (in)	A (in)	L (in)	WS (in)
	1 2			
97140	3/4 x 3/4 Flare	0.67	1.71	1.50
97160	1 x 3/4 Flare	0.86	2.03	1.50
97165	1 x 1 Flare	0.65	1.89	1.80

**PureFlow Press Coupling Zero Lead Bronze P x P - Model 2815ZL**



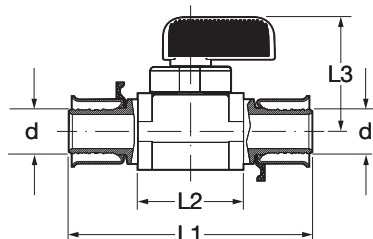
Part No.	Size (in)		A (in)	L (in)
	1	2		
93001	5/16	5/16	0.40	1.38
93000	3/8	3/8	0.40	1.38
93020	1/2	1/2	0.40	1.38
93050	1/2	3/4	0.40	1.38
93030	5/8	5/8	0.40	1.38
93040	3/4	3/4	0.40	1.38
93055	3/4	1	0.46	1.58
93071	3/4	1 1/4	0.51	1.87
93072	3/4	1 1/2	0.51	1.87
93060	1	1	0.46	1.69
93065	1	1 1/4	0.54	2.03
93073	1	1 1/2	0.54	2.03
93070	1 1/4	1 1/4	0.67	2.40
93075	1 1/4	1 1/2	0.59	2.32
93080	1 1/2	1 1/2	0.67	2.40
93090	2	2	0.66	2.76
93091	2	1 1/2	0.69	2.60

**PureFlow Press Stop Valve Straight Zero Lead Chrome Plated Brass P x CTS 1/4 Turn - Model 2842.3ZL**



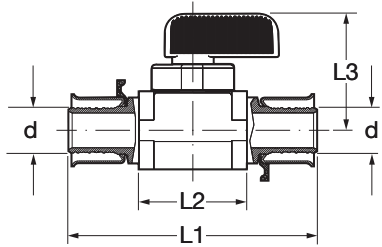
Part No.	Size (in)		L1 (in)	L2 (in)	L3 (in)
	d1	d2			
94023	3/8	1/4 CTS (3/8 OD) Comp	2.53	1.20	1.20
94031	1/2	1/4 CTS (3/8 OD) Comp	2.51	1.20	1.20

**PureFlow Press Stop Valve Angled Zero Lead Chrome Plated Brass P x CTS 1/4 Turn - Model 2842.4ZL**



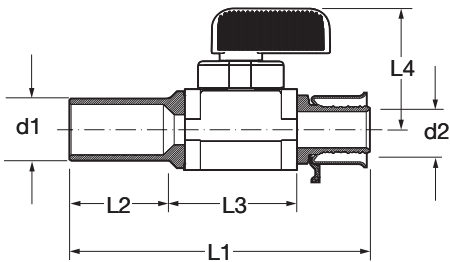
Part No.	Size (in)		L1 (in)	L2 (in)	L3 (in)
	d1	d2			
93515	3/8	1/4 CTS (3/8 OD) Comp	2.51	1.03	1.20
93511	1/2	1/4 CTS (3/8 OD) Comp	2.51	1.03	1.20

**PureFlow Press Ball Valve Zero Lead Brass P x P - Model 2842.2ZL**



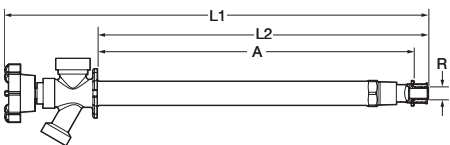
Part No.	Size (in) d	L1 (in)	L2 (in)	L3 (in)
94500	3/8	2.62	1.20	1.20
94521	1/2	2.59	1.20	1.20
94541	3/4	2.72	1.30	1.30

**ProPress Valve Zero Lead Brass P x FTG - Model 2842.1ZL**



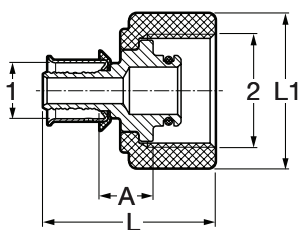
Part No.	Size (in) d1 d2	L1 (in)	L2 (in)	L3 (in)	L4 (in)
95002	1/2 x 1/2 FTG	3.01	1.20	1.10	1.20

**PureFlow Press Wall Hydrant Zero Lead Chrome Plated Brass - Model 2888.0ZL**



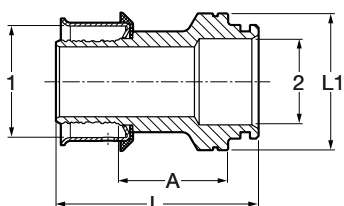
Part No.	R (in)	A (in)	L1 (in)	L2 (in)
97120	1/2	11.7	15.6	12.2
97121	3/4	11.8	15.7	12.3

**PureFlow Press Port Adapter Zero Lead Bronze P x ManaBloc Port - Model 2877.3ZL**



Part No.	Size (in) 1 2	A (in)	L (in)	L1 (in)
96101	3/8 x 1/2 Port	0.51	1.58	1.42
96120	1/2 x 1/2 Port	0.51	1.58	1.42

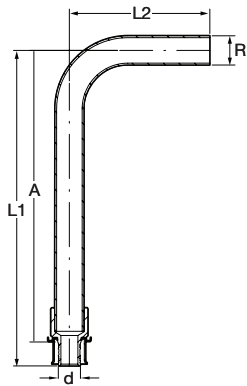
**PureFlow Press Supply Adapter Zero Lead Bronze P x ManaBloc Supply - Model 2877.8ZL**



Part No.	Size (in) 1 2	A (in)	L (in)	L1 (in)
96141	3/4 x 1 ManaBloc	0.87	1.79	1.43
96161	1 x 1 ManaBloc	0.77	1.80	1.43
96171	1 1/4 x 1 ManaBloc	1.02	2.31	1.43

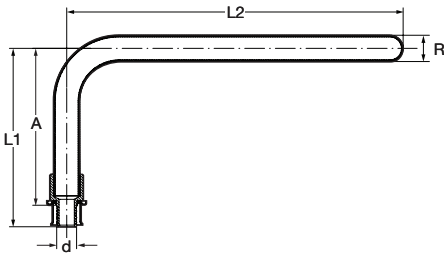


**PureFlow Press Tub 90° Elbow Zero Lead Brazed Copper - Model 2820.0ZL**



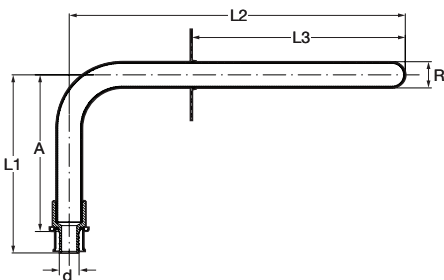
Part No.	Size (in) d R	A (in)	L1 (in)	L2 (in)
92221	1/2 x 1/2 Copper	6.22	6.74	3.00

**PureFlow Press 90° Stub-out Brazed Copper P x FTG - Model 2820.1ZL**



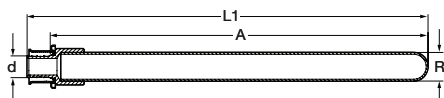
Part No.	Size (in) d R	A (in)	L1 (in)	L2 (in)
92406	3/8 x 1/2 Copper	3.76	4.28	8.00
92421	1/2 x 1/2 Copper	3.72	4.24	8.00
92441	3/4 x 3/4 Copper	4.77	4.24	8.00

**PureFlow Press 90° Stub-out Brazed Copper P x FTG - Model 2820.4ZL**



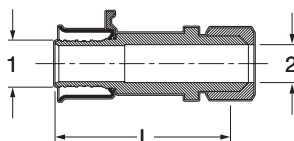
Part No.	Size (in) d R	A (in)	L1 (in)	L2 (in)	L3 (in)
92305	3/8 x 1/2 Copper	3.76	4.28	8.00	6.00
92321	1/2 x 1/2 Copper	3.72	4.24	8.00	6.00

**PureFlow Press Stub-out Brazed Copper P x FTG - Model 2820.2ZL**



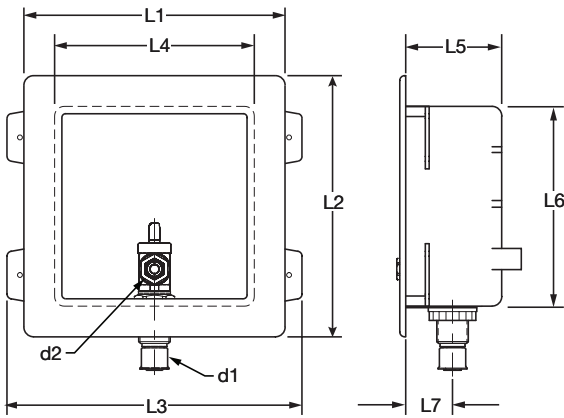
Part No.	Size (in) d R	A (in)	L1 (in)
92609	1/2 x 1/2 Copper	8.00	8.74
92616	1/2 x 1/2 Copper	15.00	15.74

**PureFlow Press Adapter Zero Lead Bronze P x CTS - Model 2895ZL**



Part No.	Size (in) 1 2	L (in)
97112	3/8 x 1/4 CTS (3/8 OD)	1.77
97113	1/2 x 1/4 CTS (3/8 OD)	1.77

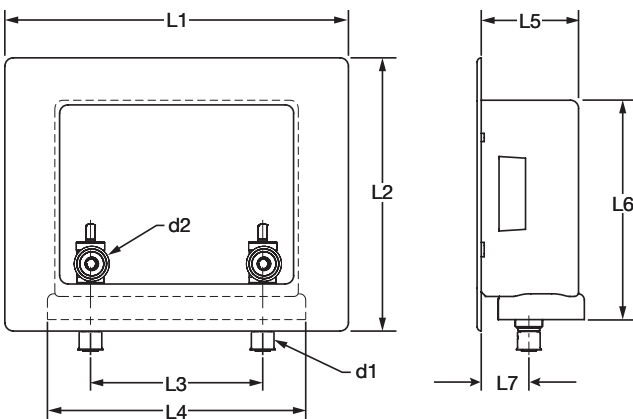
**PureFlow Press Outlet box Zero Lead for Washing Machine, Ice Maker - Model 2872.0ZL, 2872.7ZL**



Part No.	Size (in)		Face Plate		Box Dimensions				
	d1	d2	L1 (in)	L2 (in)	L3 (in)	L4 (in)	L5 (in)	L6 (in)	L7 (in)
98000	1/2 PEX x 1/4 O.D.		6.80	6.80	7.68	5.20	2.50	5.20	1.22
97220*	1/2 PEX x 1/4 O.D.		6.80	6.80	7.68	5.20	2.50	5.20	1.22

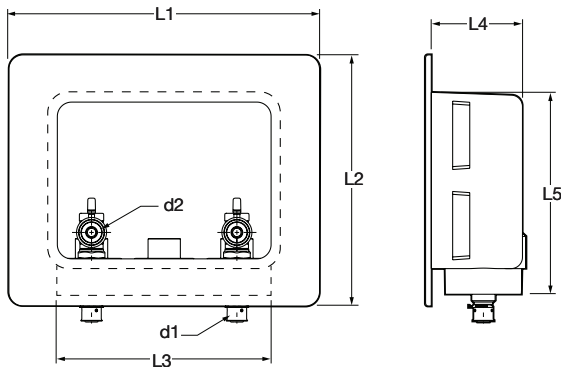
\* with hammer arrestor

**PureFlow Press Outlet Box Zero Lead for Washing Machine, Ice Maker - Model 2872.1US, 2872.6ZL**



Part No.	Size (in)		Face Plate		Box Dimensions				
	d1	d2	L1 (in)	L2 (in)	L3 (in)	L4 (in)	L5 (in)	L6 (in)	L7 (in)
97001	1/2 PEX x 3/4 O.D.		10.40	8.30	5.20	7.40	2.90	6.60	1.43
97212*	1/2 PEX x 3/4 O.D.		10.40	8.30	5.20	7.40	2.90	6.60	1.43

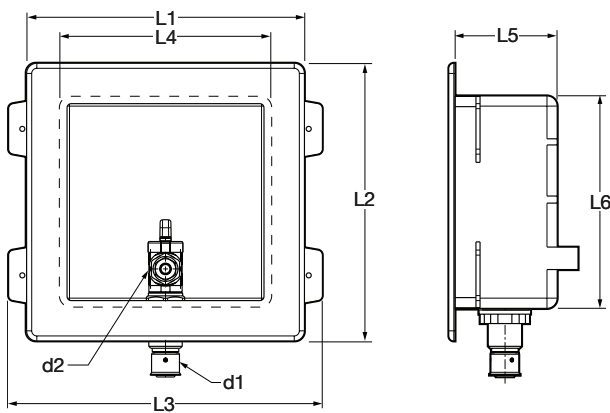
**PureFlow Press Fire-Rated Outlet box Zero Lead for Washing Machine, Ice Maker - Model 2872.2, 2872.6**



Part No.	Size (in)		Face Plate				
	d1	d2	L1 (in)	L2 (in)	L3 (in)	L4 (in)	L5 (in)
97006	1/2 PEX x 1/4 O.D.		10.90	8.80	8.20	3.40	7.10
97008*	1/2 PEX x 1/4 O.D.		10.90	8.80	8.20	3.40	7.10

\* with hammer arrestor

**PureFlow Press Fire-Rated Outlet Box Zero Lead for Washing Machine, Ice Maker - Model 2872.5, 2872.3**



Part No.	Size (in)		Face Plate			Box Dimensions		
	d1	d2	L1 (in)	L2 (in)	L3 (in)	L4 (in)	L5 (in)	L6 (in)
98001	1/2 PEX x 3/4 O.D.		5.25	7.29	6.90	3.90	2.83	5.69
97007*	1/2 PEX x 3/4 O.D.		5.25	7.29	6.90	3.90	2.83	5.69

\* with hammer arrestor

**V Viega LLC**  
585 Interlocken Blvd.  
Broomfield, CO 80021

Phone (800) 976-9819  
www.viega.us

