

Dimensional Document

Viega ProPress® Fittings ½" to 2"

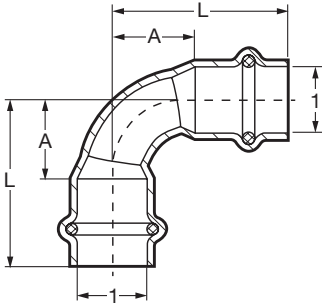


This document is subject to updates. For the most current Viega technical literature please visit viega.us.



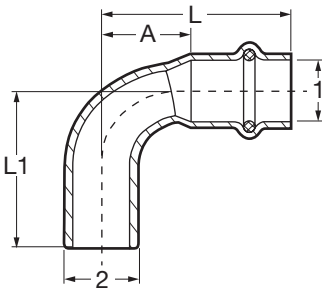
Viega products are designed to be installed by licensed and trained plumbing and mechanical professionals who are familiar with Viega products and their installation. **Installation by non-professionals may void Viega LLC's warranty.**

Viega ProPress 90° Elbow Copper P x P - Model 2916

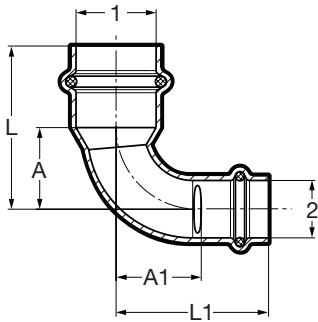


Part No.	Size (in)	A (in)	L (in)
	1 1		
77317	½ x ½	0.75	1.50
77022	¾ x ¾	0.76	1.67
77027	1 x 1	1.28	2.19
77032	1¼ x 1¼	1.28	2.31
77037	1½ x 1½	1.29	2.72
77042	2 x 2	2.16	3.74

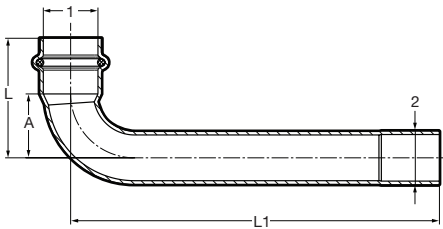
Viega ProPress 90° Street Elbow Copper P x FTG - Model 2916.1



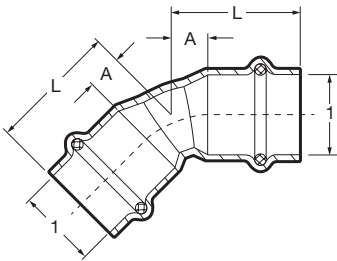
Part No.	Size (in)	A (in)	L (in)	L1 (in)
	1 2			
77347	½ x ½	0.75	1.50	1.54
77052	¾ x ¾	0.76	1.67	1.83
77057	1 x 1	1.28	2.19	2.27
77062	1¼ x 1¼	1.28	2.31	2.48
77067	1½ x 1½	1.29	2.72	2.80
77072	2 x 2	2.16	3.74	3.78

Viega ProPress 90° Reducing Elbow Copper P x P - Model 2916.3


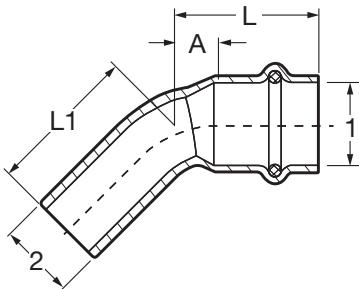
Part No.	Size (in)		A (in)	A1 (in)	L (in)	L1 (in)
	1	2				
77325	3/4	1/2	0.91	0.94	1.81	1.69
77330	1	3/4	1.20	1.30	2.11	2.21

Viega ProPress 90° Extended Street Elbow Copper P x FTG - Model 2947


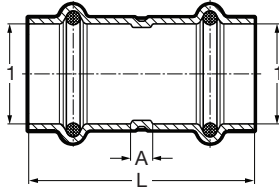
Part No.	Size (in)		A (in)	L (in)	L1 (in)
	1	2			
77353	3/4	3/4	1.02	1.93	5.98

Viega ProPress 45° Elbow Copper P x P - Model 2926


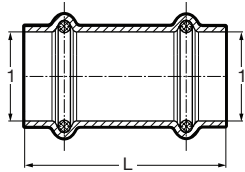
Part No.	Size (in)		A (in)	L (in)
	1	1		
77607	1/2	1/2	0.30	1.04
77023	3/4	3/4	0.36	1.26
77028	1	1	0.47	1.38
77033	1 1/4	1 1/4	0.58	1.61
77038	1 1/2	1 1/2	0.65	2.08
77043	2	2	0.86	2.44

Viega ProPress 45° Street Elbow Copper P x FTG - Model 2926.1


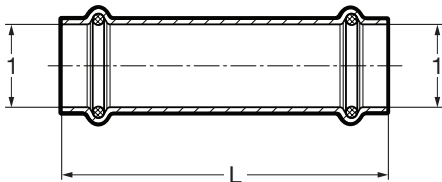
Part No.	Size (in)		A (in)	L (in)	L1 (in)
	1	2			
77637	1/2	1/2	0.31	1.06	1.10
77053	3/4	3/4	0.36	1.26	1.30
77058	1	1	0.47	1.38	1.49
77063	1 1/4	1 1/4	0.58	1.61	1.67
77068	1 1/2	1 1/2	0.65	2.08	2.04
77073	2	2	0.86	2.44	2.54

Viega ProPress Coupling with Stop Copper P x P - Model 2915


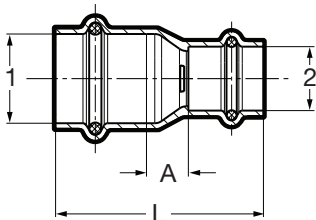
Part No.	Size (in)	A (in)	L (in)
	1 1		
78047	½ x ½	0.12	1.61
78052	¾ x ¾	0.20	2.01
78057	1 x 1	0.16	1.97
78062	1¼ x 1¼	0.14	2.20
78067	1½ x 1½	0.14	2.99
78072	2 x 2	0.14	3.31

Viega ProPress Coupling No Stop Copper P x P - Model 2915.3


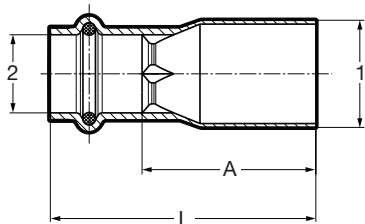
Part No.	Size (in)	L (in)
	1 1	
78172	½ x ½	1.61
78177	¾ x ¾	2.01
78182	1 x 1	1.97
78187	1¼ x 1¼	2.20
78192	1½ x 1½	2.99
78197	2 x 2	3.31

Viega ProPress Extended Coupling Copper P x P - Model 2915.5


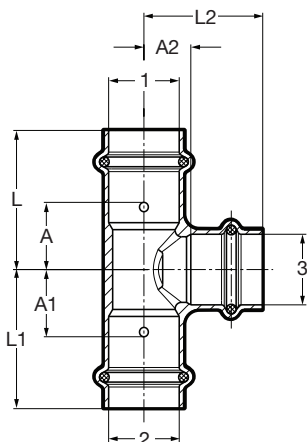
Part No.	Size (in)	L (in)
	1 1	
79005	½ x ½	2.99
79010	¾ x ¾	3.50
79015	1 x 1	3.74
79020	1¼ x 1¼	4.13
79025	1½ x 1½	4.72
79030	2 x 2	5.31

Viega ProPress Reducer Copper P x P - Model 2915.2


Part No.	Size (in)	A (in)	L (in)
	1 2		
78147	¾ x ½	0.42	2.07
15603	1 x ½	0.71	2.36
78152	1 x ¾	0.48	2.29
15593	1¼ x ¾	0.70	2.64
78157	1¼ x 1	0.55	2.48
18473	1½ x ¾	0.98	3.33
15588	1½ x 1	0.74	3.07
78162	1½ x 1¼	0.50	2.96
18468	2 x ¾	1.54	4.02
15608	2 x 1	1.29	3.78
22328	2 x 1¼	0.81	3.43
78167	2 x 1½	0.74	3.75

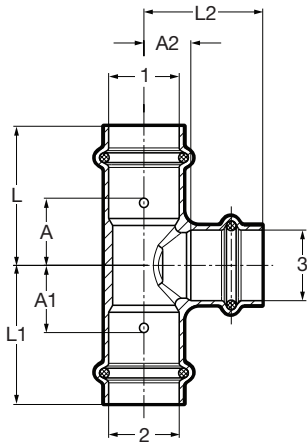
Viega ProPress Reducer Copper FTG x P - Model 2915.1


Part No.	Size (in)		A (in)	L (in)
	1	2		
78077	3/4	1/2	1.42	2.17
78082	1	1/2	1.69	2.44
78087	1	3/4	1.42	2.32
22333	1 1/4	1/2	1.91	2.74
78092	1 1/4	3/4	1.85	2.76
78097	1 1/4	1	1.57	2.48
14543	1 1/2	3/4	2.56	3.46
78102	1 1/2	1	2.28	3.19
78107	1 1/2	1 1/4	2.04	3.07
78112	2	1	3.03	3.94
78117	2	1 1/4	2.79	3.82
78122	2	1 1/2	2.63	4.06

Viega ProPress Tee Copper P x P x P - Model 2918


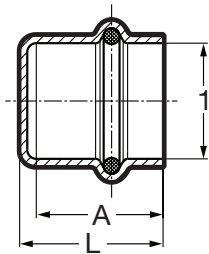
Part No.	Size (in)			A (in)	A1 (in)	A2 (in)	L (in)	L1 (in)	L2 (in)
	1	2	3						
77377	1/2	1/2	1/2	0.75	0.75	0.50	1.50	1.50	1.25
77382	1/2	1/2	3/4	0.91	0.91	0.59	1.65	1.65	1.50
15493	1/2	1/2	1	1.10	1.10	0.55	1.85	1.85	1.46
77387	3/4	3/4	3/4	0.85	0.85	0.59	1.75	1.75	1.50
77392	3/4	1/2	1/2	0.69	0.98	0.63	1.59	1.73	1.38
77397	3/4	1/2	3/4	0.85	1.14	0.59	1.75	1.89	1.50
77402	3/4	3/4	1/2	0.69	0.69	0.63	1.59	1.59	1.38
77407	3/4	3/4	1	0.97	0.97	0.63	1.87	1.87	1.54
77412	1	1	1	0.97	0.97	0.79	1.87	1.87	1.69
22263	1	1/2	3/4	0.85	1.24	0.75	1.76	1.99	1.66
94767	1	1/2	1	0.97	1.52	0.79	1.87	2.26	1.69
77417	1	3/4	1/2	0.69	0.89	0.79	1.59	1.79	1.54
77422	1	3/4	3/4	0.85	1.04	0.75	1.75	1.95	1.65
77427	1	3/4	1	0.97	1.18	0.78	1.87	2.07	1.69
77432	1	1	1/2	0.69	0.69	0.79	1.59	1.59	1.54
77437	1	1	3/4	0.85	0.85	0.75	1.75	1.75	1.65
15488	1	1	1 1/4	1.16	1.16	0.84	2.07	2.07	1.87
77442	1 1/4	1 1/4	1 1/4	1.02	1.02	0.86	2.05	2.05	1.89
22253	1 1/4	1/2	1 1/4	1.02	1.77	0.87	2.05	2.52	1.89
22243	1 1/4	3/4	1/2	0.64	1.13	0.93	1.68	2.03	1.68
22258	1 1/4	3/4	3/4	0.76	1.30	0.87	1.80	2.21	1.78
22268	1 1/4	3/4	1	0.88	1.40	0.91	1.91	2.31	1.82
22248	1 1/4	3/4	1 1/4	1.02	1.54	0.86	2.05	2.45	1.89
22238	1 1/4	1	1/2	0.64	0.91	0.93	1.68	1.82	1.68
94762	1 1/4	1	3/4	0.76	1.14	0.87	1.79	2.05	1.77
14568	1 1/4	1	1	0.88	1.28	0.91	1.91	2.19	1.81
94757	1 1/4	1 1/4	1/2	0.65	0.65	0.93	1.67	1.67	1.67
77452	1 1/4	1 1/4	3/4	0.77	0.77	0.89	1.79	1.79	1.77
77447	1 1/4	1 1/4	1	0.88	0.88	0.90	1.91	1.91	1.81
77457	1 1/2	1 1/2	1 1/2	1.13	1.13	1.13	2.56	2.56	2.56

Continued on next page

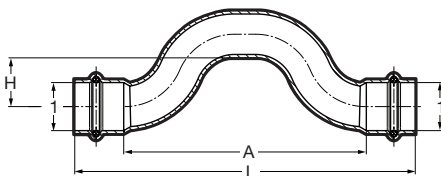
Viega ProPress Tee Copper P x P x P - Model 2918


Continued from previous page

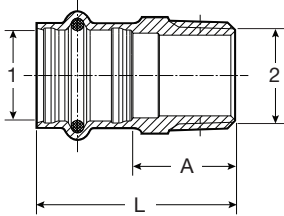
Part No.	Size (in)			A (in)	A1 (in)	A2 (in)	L (in)	L1 (in)	L2 (in)
	1	2	3						
79660	1½	1	¾	0.67	1.39	1.16	2.17	2.44	2.05
15458	1½	1	1	0.74	1.54	1.06	2.17	2.44	1.97
15463	1½	1	1½	1.13	1.83	1.13	2.56	2.74	2.56
22233	1½	1¼	¾	0.67	1.08	1.15	2.09	2.11	2.05
15453	1½	1¼	1	0.74	1.29	1.18	2.17	2.32	2.09
15483	1½	1¼	1¼	0.86	1.33	1.13	2.28	2.36	2.17
15448	1½	1½	½	0.47	0.47	1.10	1.89	1.89	1.85
77462	1½	1½	¾	0.66	0.66	1.14	2.09	2.09	2.05
77467	1½	1½	1	0.74	0.74	1.18	2.17	2.17	2.09
77472	1½	1½	1¼	0.86	0.86	1.13	2.28	2.28	2.17
77477	2	2	2	1.37	1.37	1.37	2.95	2.95	2.95
15518	2	1¼	1¼	0.94	1.84	1.33	2.52	2.87	2.36
15513	2	1½	¾	0.70	1.25	1.38	2.28	2.68	2.28
15498	2	1½	1	0.82	1.45	1.38	2.40	2.87	2.28
15508	2	1½	1¼	0.94	1.55	1.49	2.52	2.97	2.52
15503	2	1½	1½	1.13	1.65	1.37	2.72	3.07	2.80
22228	2	1½	2	1.38	1.89	1.38	2.95	3.33	2.95
15538	2	2	½	0.54	0.54	1.30	2.13	2.13	2.05
94777	2	2	¾	0.79	0.79	1.26	2.37	2.37	2.17
94772	2	2	1	0.91	0.91	1.30	2.49	2.49	2.21
77487	2	2	1¼	1.04	1.04	1.37	2.62	2.62	2.40
77482	2	2	1½	1.13	1.13	1.37	2.72	2.72	2.80

Viega ProPress Cap Copper P - Model 2956


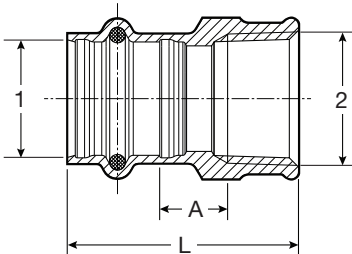
Part No.	Size (in)	A (in)	L (in)
	1		
77712	½	0.79	0.92
77717	¾	0.94	1.07
77722	1	0.99	1.11
77727	1¼	1.20	1.32
77732	1½	1.49	1.62
77737	2	1.69	1.81

Viega ProPress Cross-Over Copper P x P - Model 2928


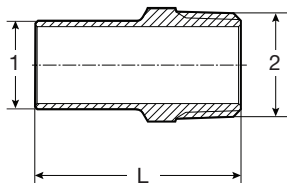
Part No.	Size (in)		A (in)	L (in)	H (in)
	1	1			
77742	½	½	3.62	5.12	0.77
77747	¾	¾	4.49	6.30	0.90

Viega ProPress Adapter Zero Lead Bronze P x MPT - Model 2911ZL


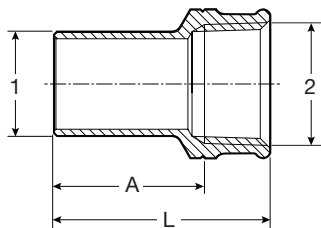
Part No.	Size (in)		A (in)	L (in)
	1	2		
79210	1/2	x 3/8 MPT	0.77	1.59
79215	1/2	x 1/2 MPT	0.89	1.71
79220	1/2	x 3/4 MPT	1.00	1.83
79225	3/4	x 1/2 MPT	1.02	1.93
79230	3/4	x 3/4 MPT	1.02	1.93
79235	3/4	x 1 MPT	1.18	2.09
79240	1	x 3/4 MPT	1.18	2.09
79245	1	x 1 MPT	1.26	2.17
79250	1	x 1 1/4 MPT	1.54	2.44
79255	1 1/4	x 1 MPT	1.22	2.24
79260	1 1/4	x 1 1/4 MPT	1.34	2.36
79265	1 1/4	x 1 1/2 MPT	1.48	2.50
79270	1 1/2	x 1 1/4 MPT	1.34	2.76
79275	1 1/2	x 1 1/2 MPT	1.28	2.70
79280	1 1/2	x 2 MPT	1.65	3.07
79285	2	x 1 1/2 MPT	1.54	3.11
79290	2	x 2 MPT	1.50	3.07

Viega ProPress Adapter Zero Lead Bronze P x FPT - Model 2912ZL


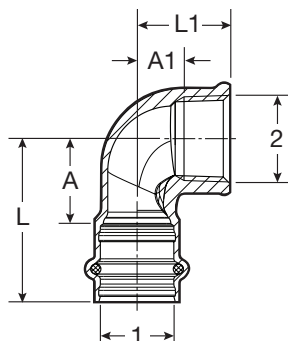
Part No.	Size (in)		A (in)	L (in)
	1	2		
79295	1/2	x 3/8 FPT	0.19	1.42
79300	1/2	x 1/2 FPT	0.25	1.61
79305	1/2	x 3/4 FPT	0.27	1.65
79310	3/4	x 1/2 FPT	0.33	1.77
79315	3/4	x 3/4 FPT	0.35	1.81
79320	1	x 1/2 FPT	0.41	1.85
79325	1	x 3/4 FPT	0.39	1.85
79330	1	x 1 FPT	0.44	2.01
79335	1	x 1 1/4 FPT	0.50	2.09
79340	1 1/4	x 1/2 FPT	0.37	1.93
79345	1 1/4	x 1 FPT	0.24	1.93
79350	1 1/4	x 1 1/4 FPT	0.34	2.05
79355	1 1/4	x 1 1/2 FPT	0.42	2.13
79360	1 1/2	x 1 1/4 FPT	0.26	2.36
79365	1 1/2	x 1 1/2 FPT	0.34	2.44
79370	2	x 2 FPT	0.41	2.68

Viega ProPress Adapter Zero Lead Bronze FTG x MPT - Model 2911.1ZL


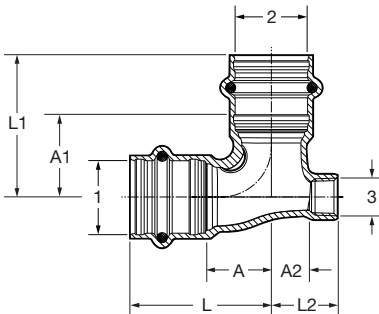
Part No.	Size (in)		L (in)
	1	2	
79375	1/2	3/8 MPT	1.75
79380	1/2	1/2 MPT	1.95
79385	1/2	3/4 MPT	2.05
79390	3/4	1/2 MPT	1.93
79395	3/4	3/4 MPT	2.05
79400	1	3/4 MPT	2.05
79405	1	1 MPT	2.22
79410	1 1/4	1 1/4 MPT	2.54
79415	1 1/2	1 1/2 MPT	2.89
79420	2	2 MPT	3.33

Viega ProPress Adapter Zero Lead Bronze FTG x FPT - Model 2912.1ZL


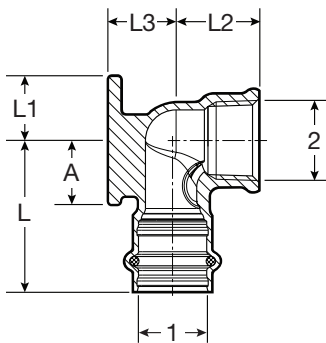
Part No.	Size (in)		A (in)	L (in)
	1	2		
79425	1/2	3/8 FPT	1.10	1.54
79430	1/2	1/2 FPT	1.22	1.75
79435	1/2	3/4 FPT	1.30	1.83
79440	3/4	1/2 FPT	1.26	1.79
79445	3/4	3/4 FPT	1.28	1.83
79455	1	1/2 FPT	1.35	1.99
79450	1	1 FPT	1.33	1.99
79460	1 1/4	1/2 FPT	1.65	2.19
79465	1 1/4	1 1/4 FPT	1.50	2.19
79470	1 1/2	1 1/2 FPT	1.88	2.56
79475	2	2 FPT	2.13	2.95

Viega ProPress 90° Elbow Zero Lead Bronze P x FPT - Model 2914.2ZL


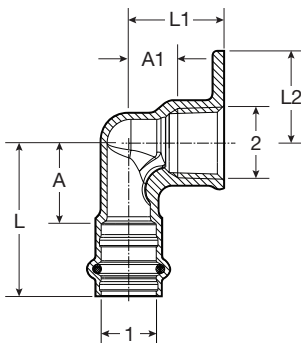
Part No.	Size (in)		A (in)	A1 (in)	L (in)	L1 (in)
	1	2				
79520	1/2	3/8 FPT	0.94	0.42	1.77	0.83
79525	1/2	1/2 FPT	0.94	0.57	1.77	1.10
79530	1/2	3/4 FPT	1.06	0.51	1.89	1.06
79535	3/4	1/2 FPT	1.06	0.65	1.97	1.18
79540	3/4	3/4 FPT	1.06	0.57	1.97	1.12
79545	1	1/2 FPT	1.06	0.72	1.97	1.26
79550	1	1 FPT	1.34	0.76	2.24	1.42
79560	1 1/4	1 1/4 FPT	1.54	0.89	2.56	1.57
79565	1 1/2	1 1/2 FPT	1.69	1.05	3.11	1.73
79570	2	2 FPT	2.17	1.35	3.74	2.05

Viega ProPress Vent Elbow Zero Lead Bronze P x P x FPT - Model 2917.3ZL


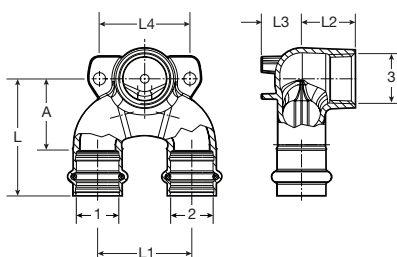
Part No.	Size (in)			A (in)	A1 (in)	A2 (in)	L (in)	L1 (in)	L2 (in)
	1	2	3						
79635	1/2	1/2	1/8	0.67	0.67	0.44	1.50	1.50	0.71
79640	3/4	3/4	1/8	0.83	0.83	0.54	1.73	1.73	0.81

Viega ProPress 90° Drop Ear Elbow Zero Lead Bronze P X FPT - Model 2925.5ZL


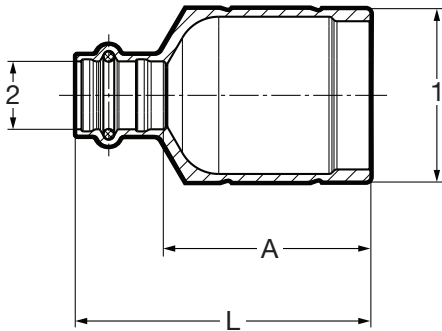
Part No.	Size (in)		A (in)	L (in)	L1 (in)	L2 (in)	L3 (in)
	1	2					
79185	1/2	3/8	0.94	1.77	0.74	0.83	0.67
79190	1/2	1/2	0.94	1.77	0.74	1.10	0.67
79195	3/4	3/4	1.06	1.97	0.83	1.12	0.83

Viega ProPress 90° Hi Ear Elbow Zero Lead Bronze P x FPT - Model 2925.2ZL


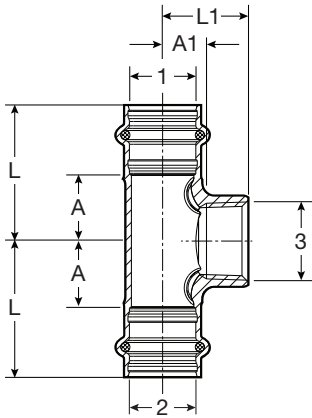
Part No.	Size (in)		A (in)	A1 (in)	L (in)	L1 (in)	L2 (in)
	1	2					
79205	1/2	1/2	0.94	0.57	1.77	1.10	1.07

Viega ProPress Double Drop Elbow Zero Lead Bronze P x P x FPT - Model 2928.7ZL


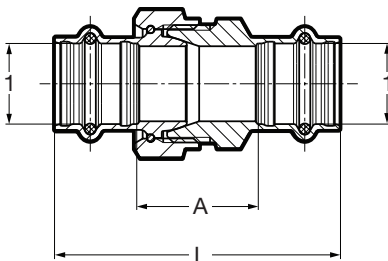
Part No.	Size (in)			A (in)	L (in)	L1 (in)	L2 (in)	L3 (in)	L4 (in)
	1	2	3						
78800	1/2	1/2	1/2	1.34	2.17	1.97	1.10	0.67	1.57
78802	3/4	3/4	1/2	1.54	2.44	1.97	1.10	0.83	2.05
78801	3/4	3/4	3/4	1.54	2.44	1.97	1.12	0.83	1.89
78803	1	1	1/2	1.77	2.68	2.36	1.10	0.87	2.52

Viega ProPress Reducer Zero Lead Bronze FTG x P - Model 2915.1ZL


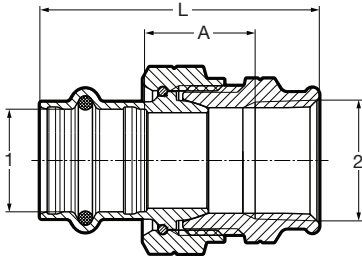
Part No.	Size (in)	A (in)	L (in)
	1 2		
79850	1 1/2 x 1/2	1.95	2.78
79855	2 x 1/2	2.38	3.21
79860	2 x 3/4	2.42	3.33

Viega ProPress Tee Zero Lead Bronze P x P x FPT - Model 2917.2ZL


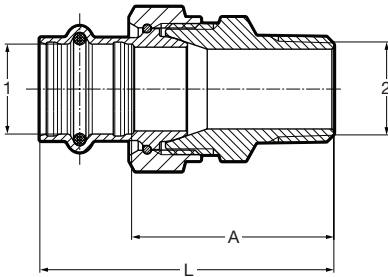
Part No.	Size (in)	A (in)	A1 (in)	L (in)	L1 (in)
	1 2 3				
79580	1/2 x 1/2 x 1/2 FPT	0.79	0.69	1.61	1.30
79585	3/4 x 3/4 x 1/4 FPT	0.67	0.79	1.57	1.18
79590	3/4 x 3/4 x 1/2 FPT	0.79	0.88	1.69	1.42
79595	3/4 x 3/4 x 3/4 FPT	0.91	0.59	1.81	1.14
79760	1 x 1 x 1/2 FPT	0.79	1.04	1.69	1.57
79765	1 x 1 x 3/4 FPT	0.91	1.06	1.81	1.61
79770	1 1/4 x 1 1/4 x 1/2 FPT	0.83	1.16	1.85	1.69
79775	1 1/4 x 1 1/4 x 3/4 FPT	0.95	1.18	1.97	1.73
79780	1 1/2 x 1 1/2 x 1/2 FPT	0.87	1.24	2.28	1.77
79785	1 1/2 x 1 1/2 x 3/4 FPT	0.94	1.30	2.36	1.85
79790	2 x 2 x 1/2 FPT	0.98	1.59	2.56	2.13
79795	2 x 2 x 3/4 FPT	1.06	1.65	2.64	2.20

Viega ProPress Union Zero Lead Bronze P x P - Model 2960ZL


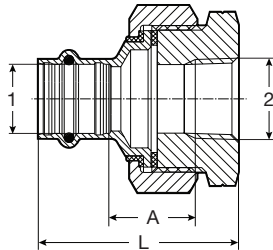
Part No.	Size (in)	A (in)	L (in)
	1		
79125	1/2	1.19	2.84
79130	3/4	1.34	3.15
79135	1	1.83	3.65
79140	1 1/4	1.64	3.69
79145	1 1/2	2.13	4.96
79150	2	2.07	5.22

Viega ProPress Union Zero Lead Bronze P x FPT - Model 2962ZL


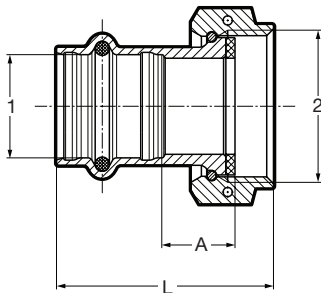
Part No.	Size (in)		A (in)	L (in)
	1	2		
79700	1/2 x 1/2	FPT	0.91	2.27
79705	3/4 x 3/4	FPT	0.96	2.42
79710	1 x 1	FPT	1.31	2.88
79715	1 1/4 x 1 1/4	FPT	1.27	2.97
79720	1 1/2 x 1 1/2	FPT	1.77	3.87
79725	2 x 2	FPT	1.65	3.92

Viega ProPress Union Zero Lead Bronze P x MPT - Model 2965ZL


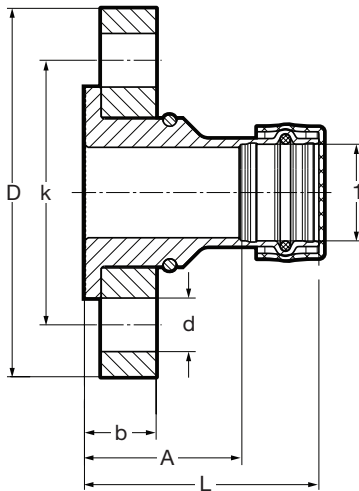
Part No.	Size (in)		A (in)	L (in)
	1	2		
79730	1/2 x 1/2	MPT	1.86	2.69
79735	3/4 x 3/4	MPT	2.00	2.90
79740	1 x 1	MPT	2.54	3.45
79745	1 1/4 x 1 1/4	MPT	2.49	3.52
79750	1 1/2 x 1 1/2	MPT	3.05	4.47
79755	2 x 2	MPT	2.99	4.57

Viega ProPress Dielectric Union Zero Lead Bronze P x FPT - Model 2967ZL


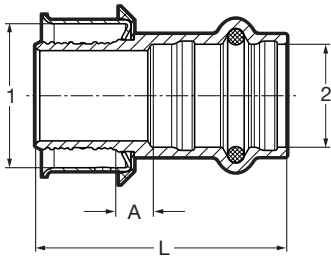
Part No.	Size (in)		A (in)	L (in)
	1	2		
79155	1/2 x 1/2	FPT	0.88	2.24
79160	3/4 x 3/4	FPT	1.11	2.57
79165	1 x 1	FPT	1.00	2.57
79170	1 1/4 x 1 1/4	FPT	0.97	2.68
79175	1 1/2 x 1 1/2	FPT	1.01	3.11
79180	2 x 2	FPT	1.26	3.53

Viega ProPress Tailpiece Zero Lead Bronze P x F BSP - Model 2957ZL


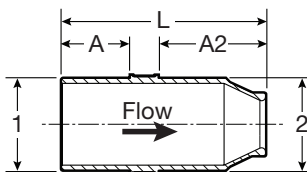
Part No.	Size (in)		A (in)	L (in)
	1	2		
79800	1/2 x 1	BSP	0.39	1.57
79805	3/4 x 1	BSP	0.63	1.87
79810	1 x 1	BSP	0.91	2.14
79815	1 x 1 1/4	BSP	0.73	2.04

Viega ProPress Adapter Flange Zero Lead Bronze P x Flange - Model 2959.5ZL


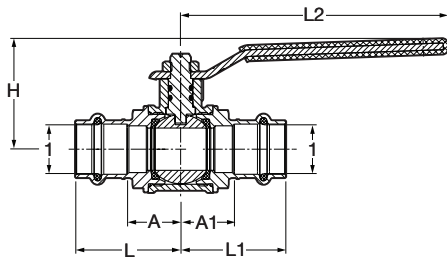
Part No.	Size (in)	A (in)	L (in)	b (in)	D (in)	k (in)	d (in)
	1						
79680	1	1.85	2.76	0.84	4.33	3.11	0.63
79685	1¼	1.73	2.76	0.84	4.53	3.50	0.63
79690	1½	1.65	3.07	0.84	4.92	3.86	0.63
79695	2	2.09	3.66	0.84	5.91	4.76	0.75

Viega PEX Press Adapter Zero Lead Bronze P x P - Model 2813PZL


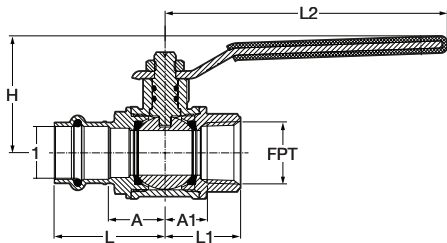
Part No.	Size (in)		A (in)	L (in)
	1	2		
99620	½	½	0.29	1.61
99626	½	¾	0.43	1.83
99630	¾	½	0.23	1.56
99640	¾	¾	0.33	1.73
99660	1	1	0.45	1.97
99670	1¼	1¼	0.49	2.38
99680	1½	1½	0.59	2.87
99690	2	2	0.58	3.21

Viega ProPress Venturi Insert Zero Lead Bronze - Model 2911.5ZL


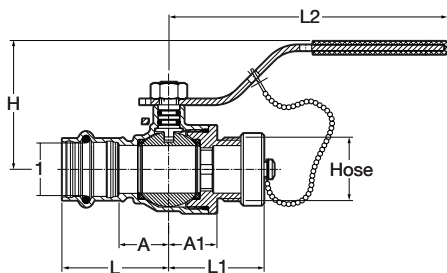
Part No.	Size (in)		A (in)	A2 (in)	L (in)
	1	2			
78810	1¼	1¼	1.02	1.60	3.07
78811	1½	1½	1.43	2.10	3.98
78812	2	2	1.58	2.45	4.48

Viega ProPress Ball Valve Bronze/Brass P x P - Model 2973


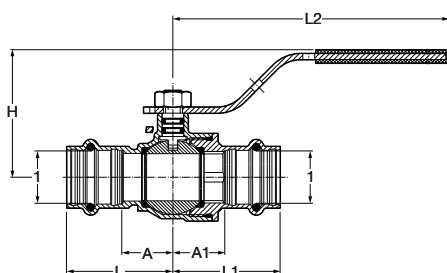
Part No.	Size (in) 1 1	A (in)	A1 (in)	L (in)	L1 (in)	L2 (in)	H (in)
24000	1/2 x 1/2	0.83	0.83	1.58	1.58	3.94	1.69
24005	3/4 x 3/4	0.95	0.95	1.86	1.86	4.72	1.97
24010	1 x 1	1.18	1.18	2.09	2.09	4.72	2.13
24015	1 1/4 x 1 1/4	1.29	1.29	2.31	2.31	6.22	2.87
24020	1 1/2 x 1 1/2	1.39	1.39	2.81	2.81	6.22	3.11
24025	2 x 2	1.85	1.85	3.43	3.43	6.22	3.46

Viega ProPress Ball Valve Bronze/Brass P x FPT - Model 2973.1


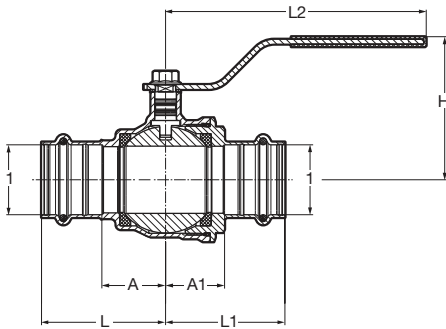
Part No.	Size (in) 1 x FPT	A (in)	A1 (in)	L (in)	L1 (in)	L2 (in)	H (in)
24030	1/2 x 1/2	0.83	0.63	1.58	1.16	3.94	1.69
24035	3/4 x 3/4	0.95	0.70	1.86	1.26	4.72	1.97
24040	1 x 1	1.18	0.93	2.09	1.59	4.72	2.13

Viega ProPress Ball Valve Bronze/Brass P x Hose - Model 2973.3


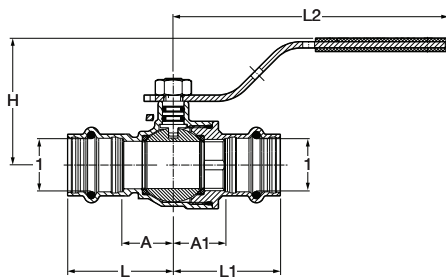
Part No.	Size (in) 1 x Hose	A (in)	A1 (in)	L (in)	L1 (in)	L2 (in)	H (in)
24090	1/2 x 3/4	0.83	0.85	1.58	1.30	3.89	1.67
24095	3/4 x 3/4	0.95	0.94	1.86	1.39	4.72	1.97

Viega ProPress Ball Valve Zero Lead Bronze P x P - Model 2971.1ZL


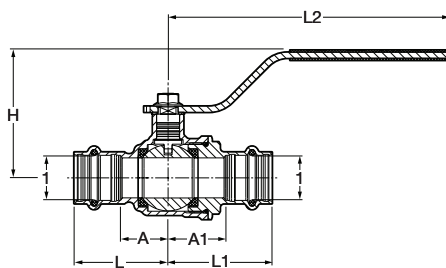
Part No.	Size 1 1	A (in)	A1 (in)	L (in)	L1 (in)	L2 (in)	H (in)
79920	1/2 x 1/2	0.75	0.75	1.57	1.57	4.57	1.97
79925	3/4 x 3/4	0.85	0.87	1.75	1.77	4.57	2.09
79930	1 x 1	1.02	1.06	1.93	1.96	5.75	2.46
79935	1 1/4 x 1 1/4	1.14	1.12	2.17	2.15	5.75	2.67

Viega ProPress Ball Valve Zero Lead Bronze P x P - Model 2970.1ZL


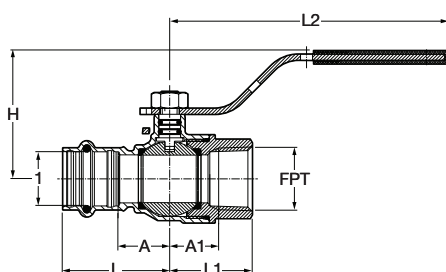
Part No.	Size		A (in)	A1 (in)	L (in)	L1 (in)	L2 (in)	H (in)
	1	1						
79115	1 1/2	1 1/2	1.50	1.39	2.91	2.80	6.12	3.36
79120	2	2	1.77	1.83	3.35	3.41	6.12	3.67

Viega ProPress Ball Valve Zero Lead Bronze P x P - Model 2971.3ZL


Part No.	Size		A (in)	A1 (in)	L (in)	L1 (in)	L2 (in)	H (in)
	1	1						
79923	1/2	1/2	0.75	0.75	1.57	1.57	4.57	1.97
79928	3/4	3/4	0.85	0.87	1.75	1.77	4.57	2.09
79933	1	1	1.02	1.06	1.93	1.96	5.75	2.46
79938	1 1/4	1 1/4	1.14	1.12	2.17	2.15	5.75	2.67

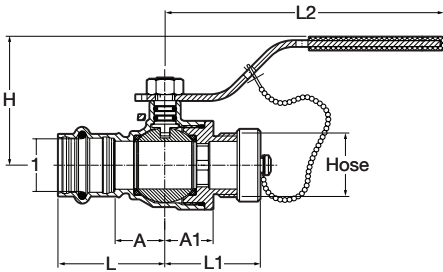
Viega ProPress Ball Valve Zero Lead Bronze P x P - Model 2970.3ZL


Part No.	Size		A (in)	A1 (in)	L (in)	L1 (in)	L2 (in)	H (in)
	1	1						
79840	1 1/2	1 1/2	1.50	1.39	2.91	2.80	6.12	3.36
79845	2	2	1.77	1.83	3.35	3.41	6.12	3.67

Viega ProPress Ball Valve Zero Lead Bronze P x FPT - Model 2971.4ZL


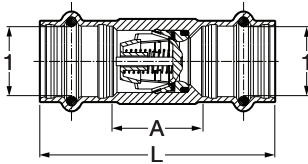
Part No.	Size		A (in)	A1 (in)	L (in)	L1 (in)	L2 (in)	H (in)
	1	FPT						
79970	1/2	1/2	0.73	0.66	1.57	1.20	4.57	1.97
79975	3/4	3/4	0.85	0.79	1.75	1.35	4.57	2.09
79980	1	1	1.02	0.98	1.93	1.63	5.75	2.46

Viega ProPress Ball Valve Zero Lead Bronze P x Hose - Model 2971.6ZL



Part No.	Size	A (in)	A1 (in)	L (in)	L1 (in)	L2 (in)	H (in)
	1 x Hose						
79875	1/2 x 3/4 GH	0.75	0.79	1.57	1.56	4.57	1.99
79876	3/4 x 3/4 GH	0.85	0.79	1.75	1.56	4.57	2.10

Viega ProPress Check Valve Zero Lead Bronze P x P - Model 2974ZL



Part No.	Size	A (in)	L (in)
	1 1		
79035	1/2 x 1/2	0.87	2.52
79040	3/4 x 3/4	1.14	2.95
79045	1 x 1	1.34	3.15
79050	1 1/4 x 1 1/4	1.69	3.74
79055	1 1/2 x 1 1/2	2.09	4.92
79060	2 x 2	2.56	5.71

V Viega LLC
 585 Interlocken Blvd.
 Broomfield, CO 80021

Phone (800) 976-9819
www.viega.us

DD-PP 0819 ProPress Fittings 1/2" to 2"

