

WatcoFlex®

SPECIFICATIONS

WatcoFlex® Features and Benefits:

- Eliminates four Schedule 40 solvent-weld field joints, resulting in significant installed-cost savings.
- Designed with a direct drain layout, which can be easier and faster to install.
- All joints are factory sealed and tested; no solvent weld.
- Eliminates the scrap that results from cutting and fitting and the need to provide extra pipe or sanitary tee.

Innovator® Features and Benefits:

- No screws to handle, install, or lose.
- No damage from errant screwdrivers.
- No need to caulk overflow gasket, which is flexible to compensate for the slope and curvature of different tubs.
- No callbacks; eliminates alignment problems and leaks.

Approvals:

- Non-corrugated, flexible PVC tubing.
- Manufactured in compliance with ASME A112.18.2-2005/CSA B125.2-05; and IAPMO PS 69-2006.

Patents (Innovator®):

- U.S. Pat. Numbers 5,890,241; 6,637,050; 6,675,406; 7,127,752; and Patents Pending
- Canadian Patent Number 2,437,448
- Mexican Patent Numbers PA/a/2003007344; PA/a/2005002784; PA/a/2005011301

Patents (WatcoFlex®):

- U.S. Patent Pending
- Mexican Patent Number PA/a/2005011301

Thread Size:

- 1½" – 11½ NPSM (Coarse Thread)
- 1.865" Major Diameter (outside thread diameter)
- 11.5 threads per inch

Piping: Schedule 40: PVC ABS



Includes built-in test membrane



Easily remove membrane after test



Snap-on overflow plate. No screws

NOTE:

CONTACT WATCO WITH NAME OF MANUFACTURER AND TUB MODEL NUMBER SO CORRECT LENGTH OF FLEX TUBING CAN BE OBTAINED.



ADA

PRESFLO® (PF) and Foot Actuated (FA) only

See price list for complete item number and available options.

When ordering, please specify complete catalog number and option codes.

WATCO



For more information, contact:

WATCO Manufacturing Company

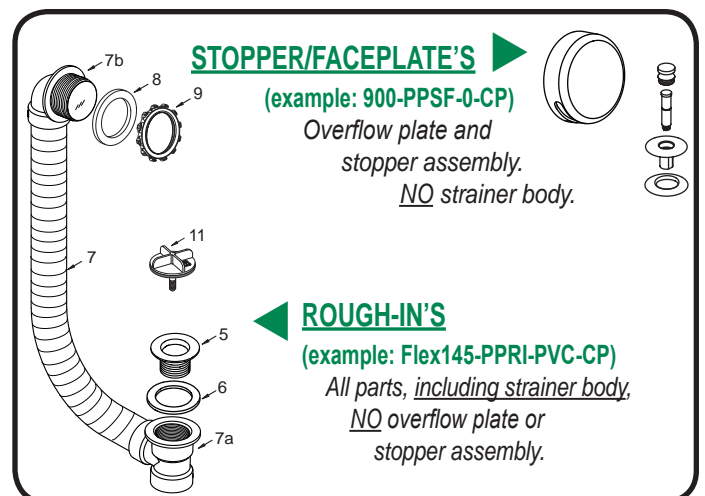
1220 South Powell Road
Independence, MO 64057-2724

Ph. 816-796-3900 • 800-821-8576

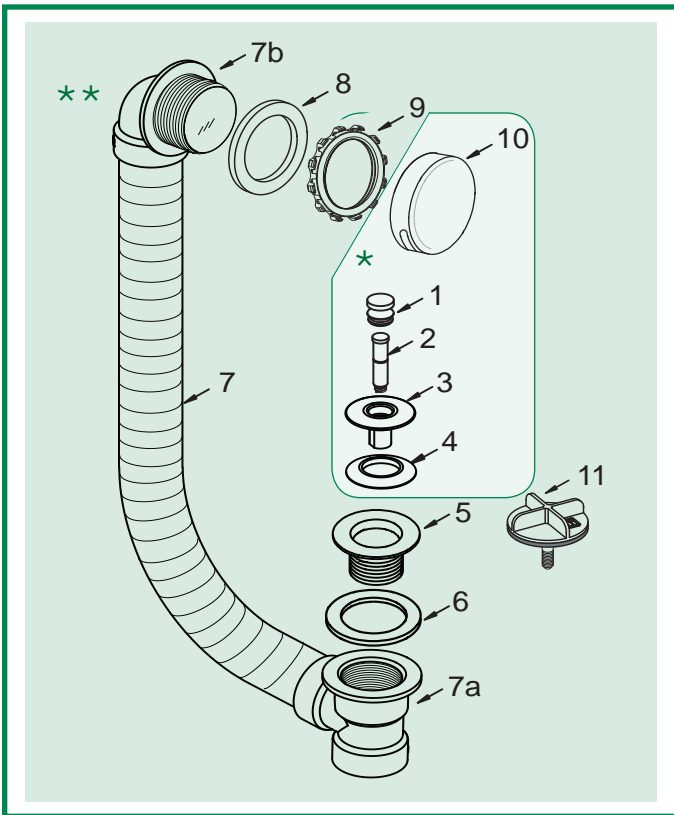
Fax 816-796-0875 • 800-399-2826

www.watcomfg.com

ROUGH-IN (RI's) and STOPPER/FACEPLATE (SF's)



WatcoFlex® Series



Item	Part #	Description
1.	01010CPKnob, Brass
2.	11510Friction Ring and Post (11505 & 11532)
3.	01013CPStopper, Brass
4.	11507Seal, 1 1/16" dia.
5.	01016CPStrainer Body, 1.865" - 11.5
6.	10696Drain Ell Washer, 1.5" gray
7.	Flexible PVC Tubing Factory-Assembled with:	
	11027Direct Drain Tee, Schedule 40 ABS
	11020Innovator® Overflow Ell, Sch. 40 ABS
	11123Innovator® Membrane, ABS/PVC blend
	OR	
	14027Direct Drain Tee, Schedule 40 PVC
	14020Innovator® Overflow Ell, Sch. 40 PVC
	11123Innovator® Membrane, ABS/PVC blend
8.	10675Overflow Ell Washer, Foam
9.	11121Retainer Nut for Innovator®
10.	01004CPOverflow Plate for Innovator®
11.	11575Test Plug with "O"-Ring-type Gasket

* SF: (example: 900-PPSF) Parts #1 thru #4, and #10

** RI: (example: FLEX145-PPRI) Parts #5 thru #9, and #11

OPTIONAL TUB CLOSURES FOR FLEX BATH WASTES (PUSH PULL® ALSO SHOWN ABOVE)

PUSH PULL® Coarse Thread		LIFT & TURN Coarse Thread		PRESFLO® Coarse Thread		FOOT ACTUATED Coarse Thread	
	<ol style="list-style-type: none"> 01010CP 01010__* 11510 01013CP 01013__* 11507 01016CP 01016__* 		<ol style="list-style-type: none"> 01010CP 01010__* 11079 11088 11290CP 01013__* 11507 11492CP 01016__* 		<ol style="list-style-type: none"> 11145CP 11145__* 11132 11060CP 11060__* 96039: Suction Cup for removing stopper 		<ol style="list-style-type: none"> 38412CP 38412__* 11492CP 01016__*
U.S. Pat. No. 4,720,877		U.S. Pat. No. 5,758,368		U.S. Pat. No. 4,457,030			

*If finish other than Chrome is desired, please use this part number and indicate desired finish.

WHEN ORDERING, PLEASE PROVIDE THE TUB MANUFACTURER AND MODEL NUMBER.

NOTE: The length portion of the product number will be determined by the tub's dimensions.

Examples:

FLEX145 will have 14.5" of flexible tubing;
FLEX170 will have 17.0" of flexible tubing.

NOTE: This product should not need to be stretched or compressed to fit the tub.
If it does not fit easily, call the factory to get the correct size for that tub.

Finishes Available in the WatcoFlex Series:

Tub Closures:	PUSH PULL®	LIFT & TURN	PRESFLO®	FOOT ACT.
CP - Chrome Plated	●	●	●	●
AB - Antique Brass				
AP - Aged Pewter	●	●	●	
BB - Brushed Bronze	●	●	●	
BN - Brushed Nickel	●	●	●	●
BO - Bone	●	●		
BS - Biscuit	●	●		
BZ - Oil-Rubbed Bronze	●	●	●	●
CB - Chrome Brushed	●	●	●	
NP - Nickel Polished	●	●	●	●
PB - Polished Brass	●	●	●	●
PN - Pearl Nickel	●	●	●	
WH - White	●	●		
WI - Wrought Iron	●	●	●	